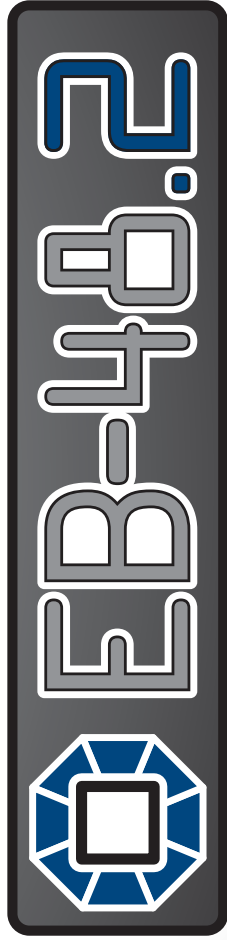




TEKNO



# INTRODUCTION



Thank you for purchasing the Tekno RC EB48.2 1/8th Electric 4WD Competition Buggy. The EB48.2 represents the state-of-the-art in 1/8th Electric Buggy technology. We hope you have as much fun driving your new vehicle as we did developing it. We are always working on new projects, so please check our website ([www.teknorc.com](http://www.teknorc.com)) regularly for the latest news, parts, and kits. Thanks again.

## **Additional equipment and parts needed:**

2/3 channel radio transmitter and receiver  
1/8th scale ESC and motor  
High torque steering servo, optional brake servo  
4-6s LiPo battery  
1/8th scale buggy tires, wheels & CA glue  
Paint for body  
MOD1 Pinion (TKR4171->TKR4190)  
Or Tekno RC Traktion Drive / Elektri-Clutch slipper system (TKR4301X)

## **Tools needed:**

Hex drivers (1.5mm, 2.0mm, 2.5mm)  
Nut drivers (5.0mm, 5.5mm, 7.0mm)  
Hobby knife  
Needle-nose pliers  
Adjustable (Crescent) wrench (for shock assembly)  
4mm turnbuckle wrench  
Lexan Body Scissors

**Disclaimer:** Tekno RC is not responsible or liable for any property or personal damage, loss, or injury incurred as a result of using this product. This kit is meant for use by persons 14 years of age or older and in the strict confines of a legally permitted RC track or facility.

**Warnings:** Always double-check that your radio gear is working properly before operating vehicle. Never operate the vehicle indoors (unless the RC track is an indoor facility). Use caution while operating vehicle so as not to collide with people who may be unaware or who might otherwise not be aware that a fast moving RC vehicle is in the vicinity.

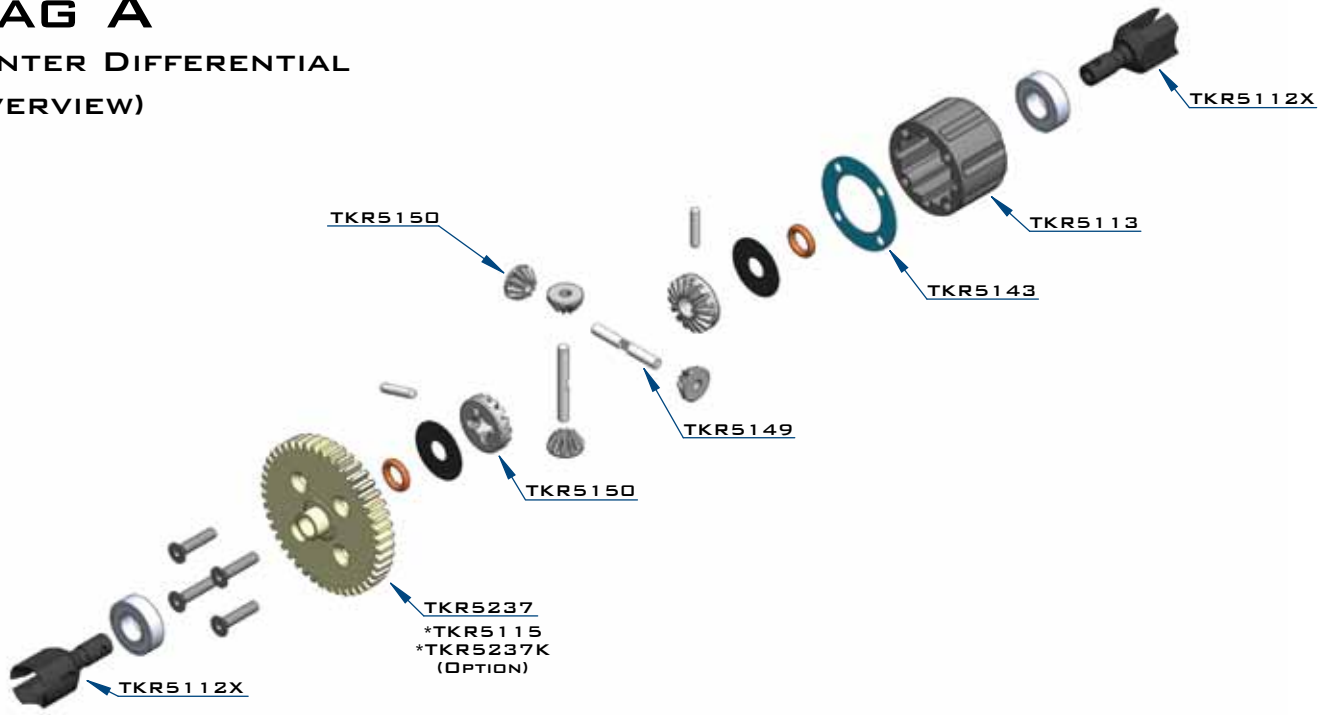
**Warranty:** We warrant that the parts included in this kit are free from defects. If you find a defective part in your kit, please contact us @ [info@teknorc.com](mailto:info@teknorc.com) and we will help you to resolve the issue. We do not warranty parts that may be broken during operation of the vehicle or otherwise. Refer to the end of this instruction manual for a listing of spare/replacement and option parts. All spare parts and other info are available on our website ([www.teknorc.com](http://www.teknorc.com)) and through our network of domestic and international dealers and distributors.

This project is dedicated to Herb Lewis.

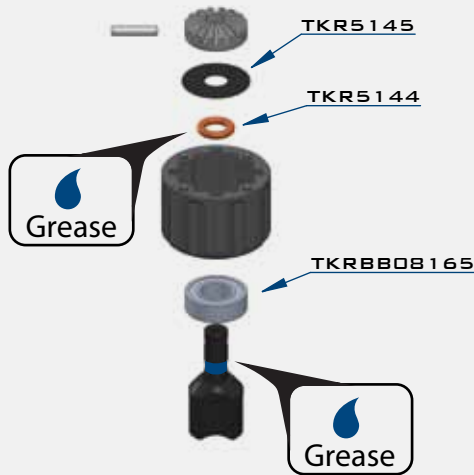
# BAG A

## CENTER DIFFERENTIAL

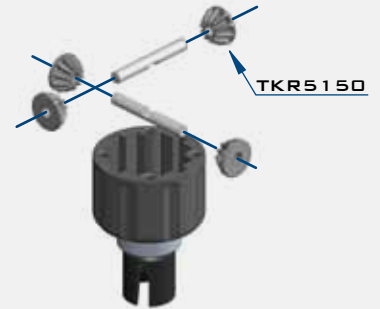
### (OVERVIEW)



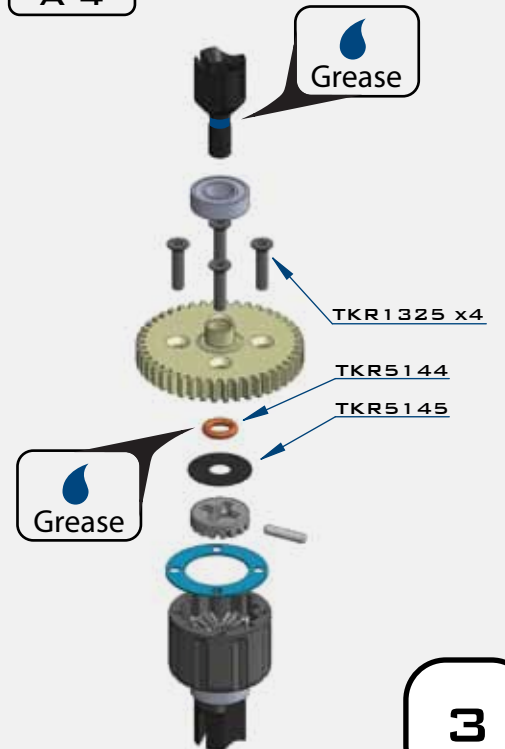
#### STEP A-1



#### STEP A-2



#### STEP A-4



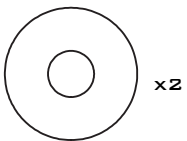
#### STEP A-3



TKR1325  
M3X14MM FLAT HEAD SCREW



TKR5144  
DIFFERENTIAL O-RINGS



TKR5145  
DIFFERENTIAL SHIMS (6X17MM)

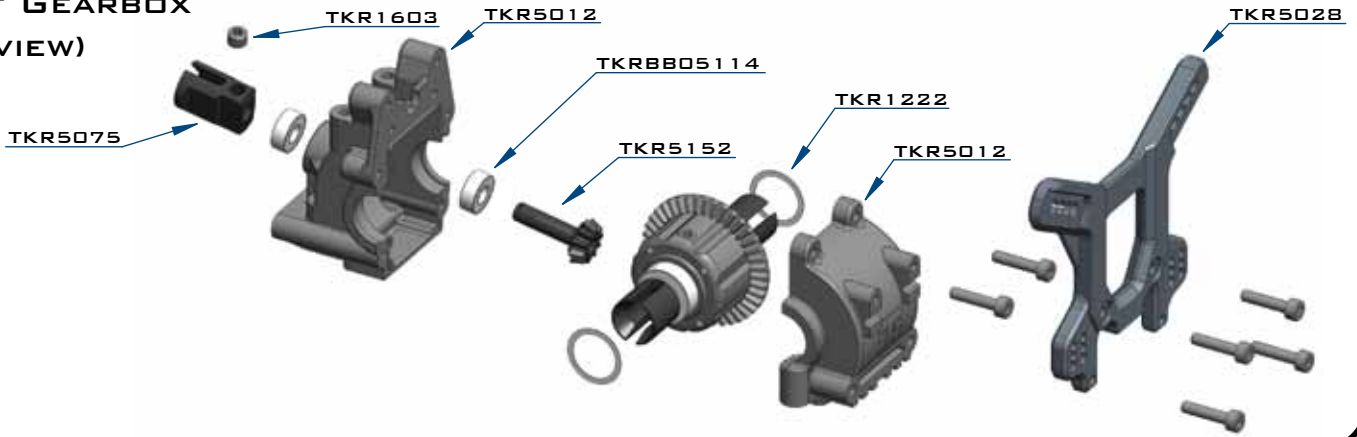


TKRBB08165  
BALL BEARING(8X16X5MM)

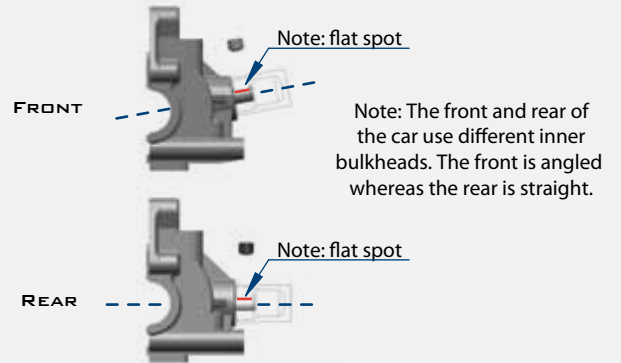
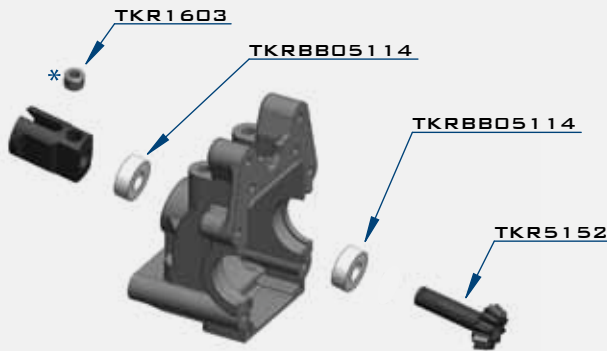


# BAG C

## FRONT GEARBOX (OVERVIEW)



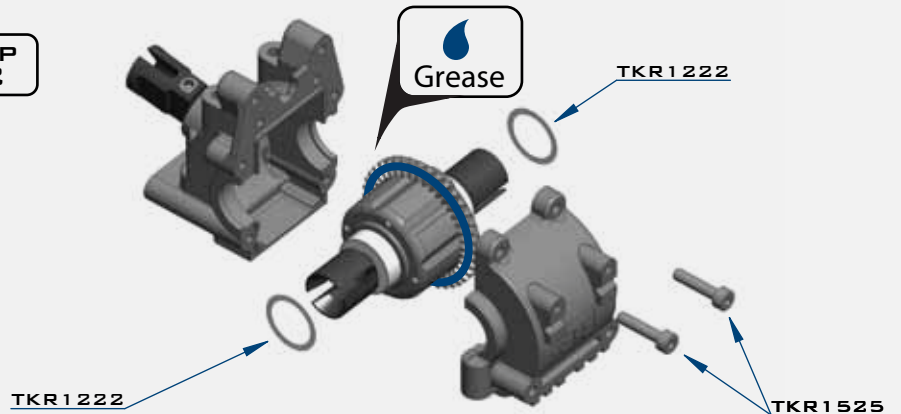
### STEP C-1



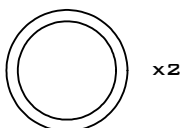
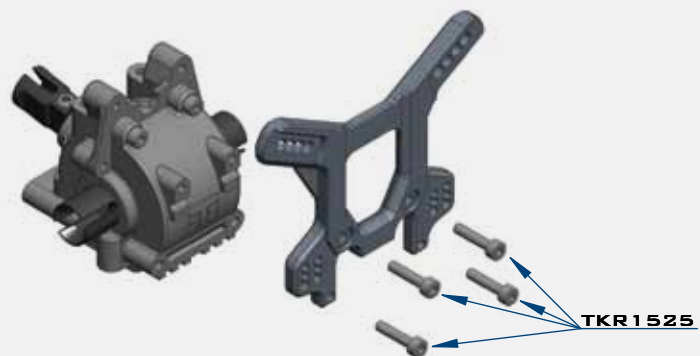
Note: TKR1222 - The gear mesh should be tight without any binding. Then test fitment of the diff with both TKR1222 shims on the gear-side of the diff. If the diff turns freely without binding, continue to next step. If the diff binds and does not turn freely (it will make a grinding or crunching sound when spun), remove one TKR1222 shim from the gear side and install it onto the other side of the diff. Reassemble and test the mesh again. If it is still binding, remove the second TKR1222 shim from the gear side and install it onto the other side of the diff. When you are satisfied that you have the best gear mesh possible continue to the next step.

### STEP C-2

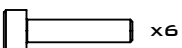
Grease



### STEP C-3



TKR1222  
13X16XD.1MM DIFF SHIM



TKR1525  
M3X14MM CAP HEAD SCREW



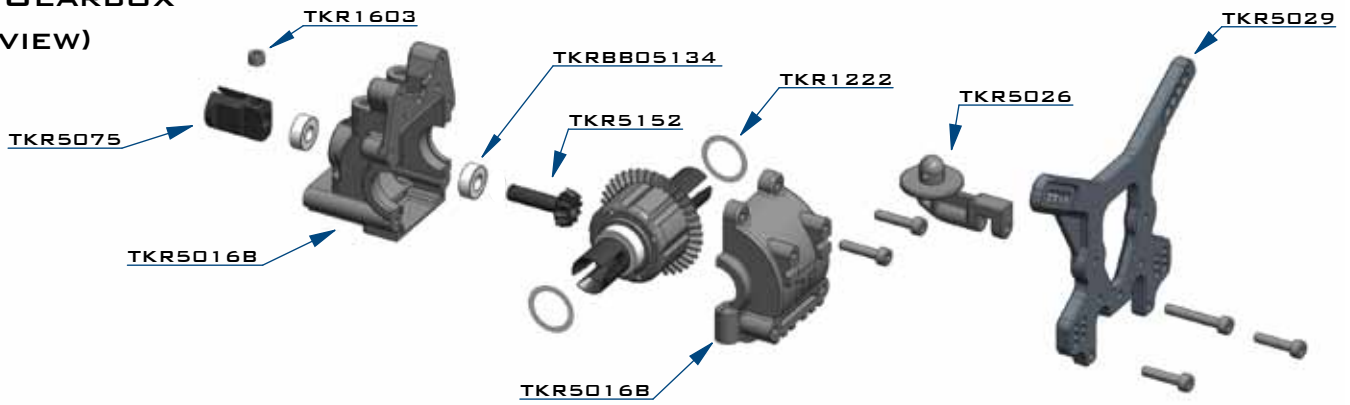
TKR1603  
M5X4MM SET SCREW



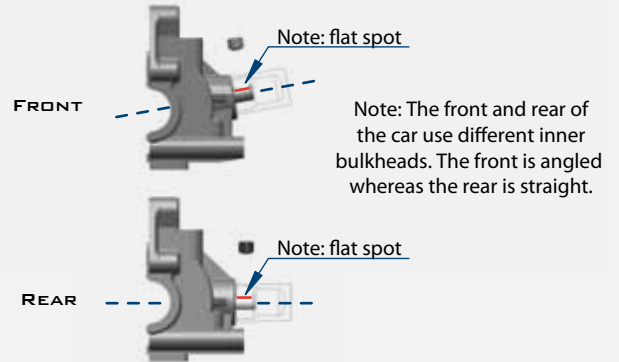
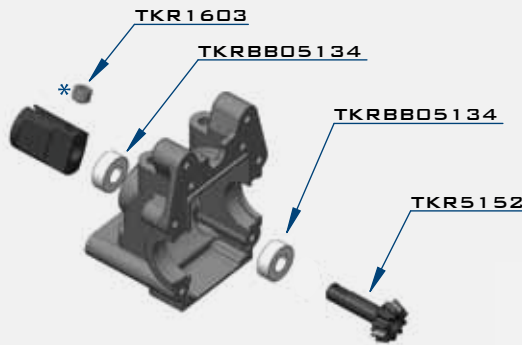
TKRBB05114  
BALL BEARING (5X11X4)

# BAG D

## REAR GEARBOX (OVERVIEW)

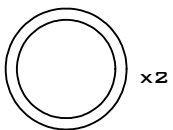
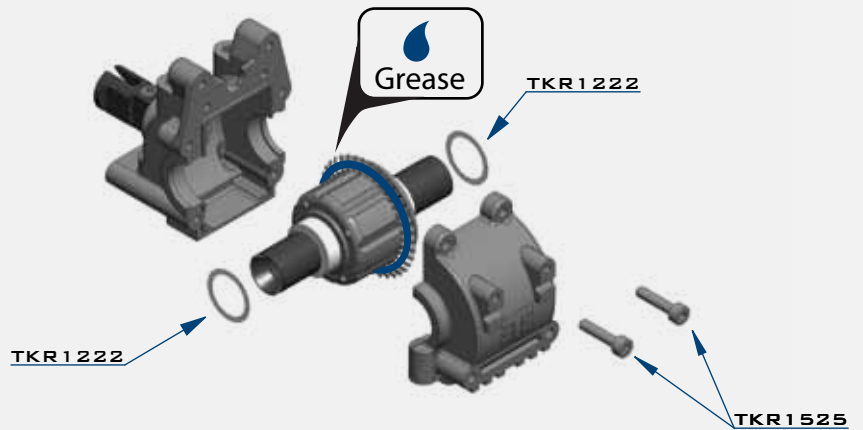


### STEP D-1

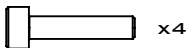


Note: TKR1222 - The gear mesh should be tight without any binding. Then test fitment of the diff with both TKR1222 shims on the gear-side of the diff. If the diff turns freely without binding, continue to next step. If the diff binds and does not turn freely (it will make a grinding or crunching sound when spun), remove one TKR1222 shim from the gear side and install it onto the other side of the diff. Reassemble and test the mesh again. If it is still binding, remove the second TKR1222 shim from the gear side and install it onto the other side of the diff. When you are satisfied that you have the best gear mesh possible continue to the next step.

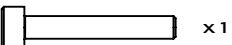
### STEP D-2



TKR1222  
13x16x0.1MM DIFF SHIM



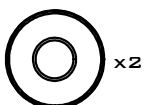
TKR1525  
M3x14MM CAP HEAD SCREW



TKR1529  
M3x20MM CAP HEAD SCREW

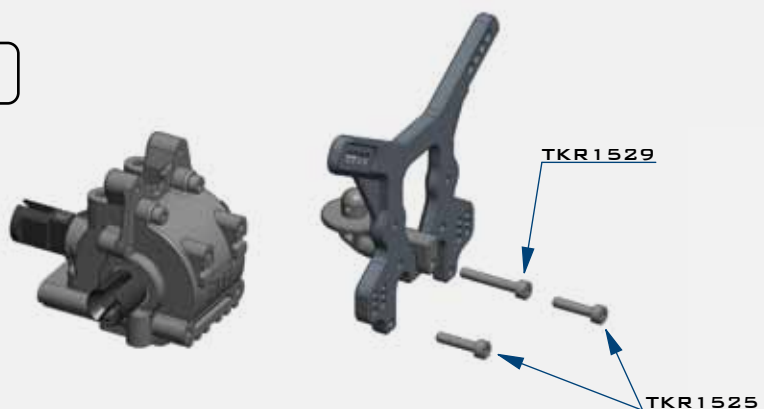


TKR1603  
M5x4MM SET SCREW



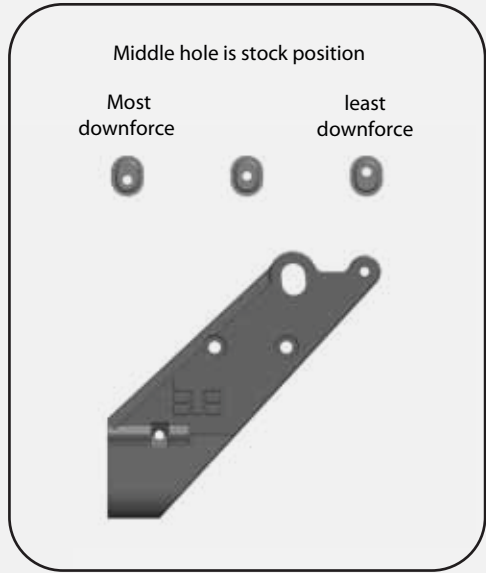
TKRBB05134  
BALL BEARING (5x13x4)

### STEP D-3

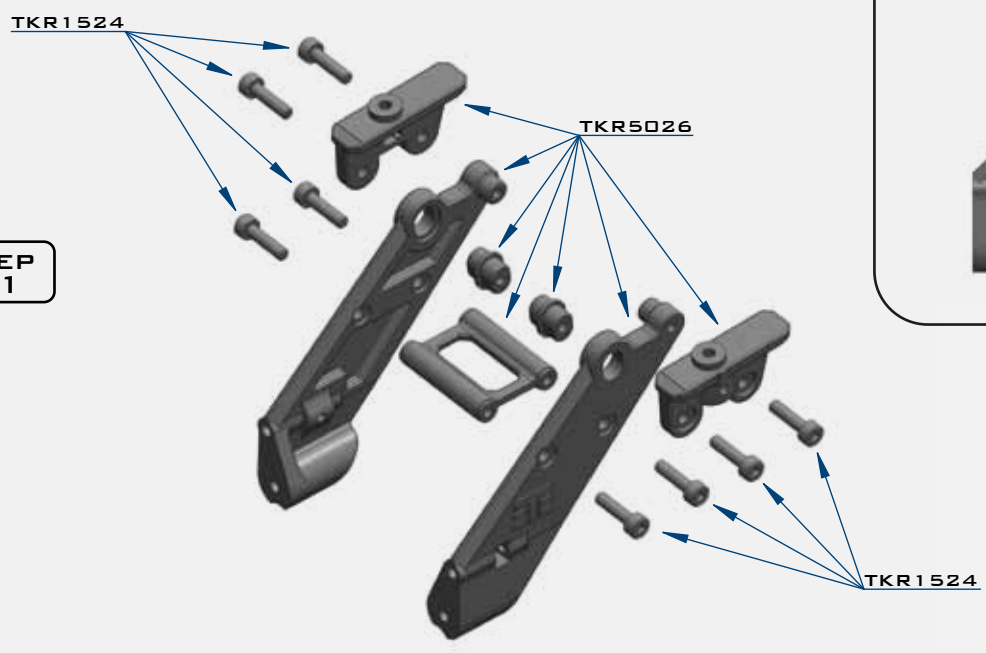


# BAG E

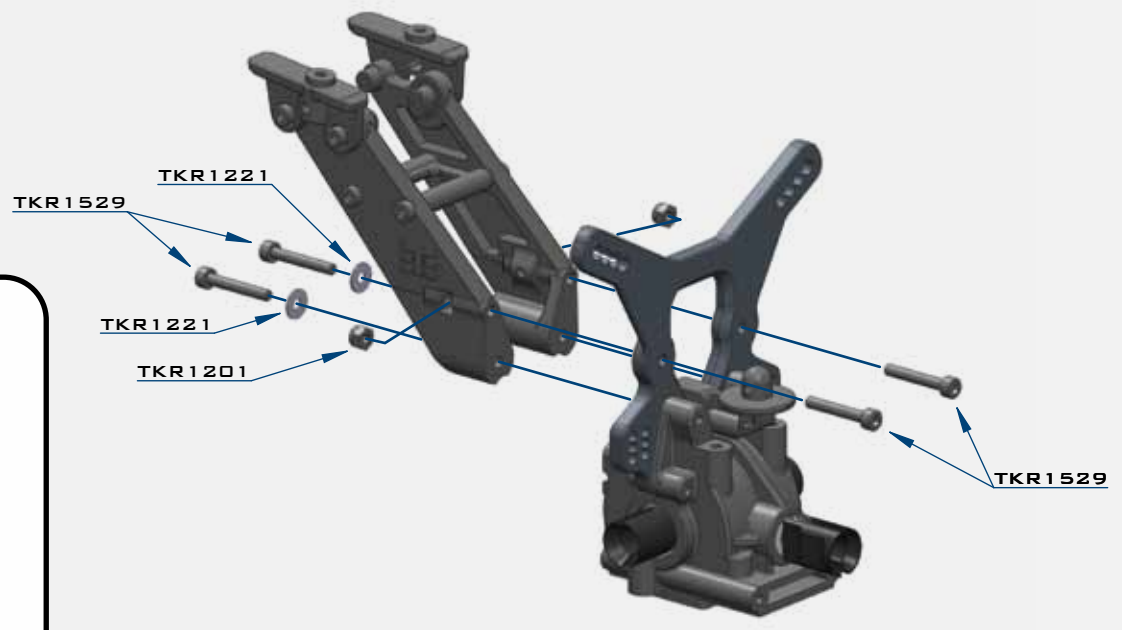
## WING MOUNT



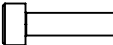
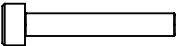


**STEP E-1**



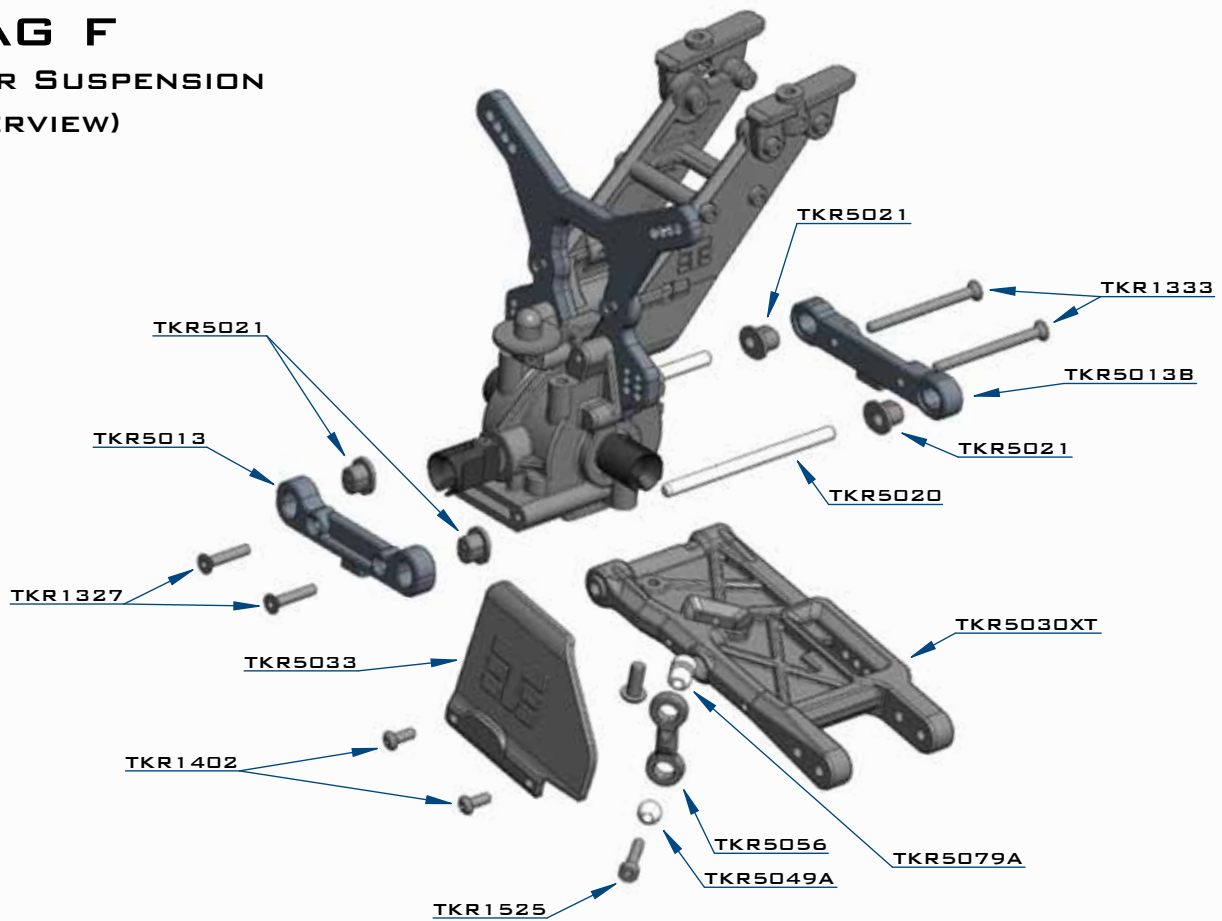
**STEP E-2**



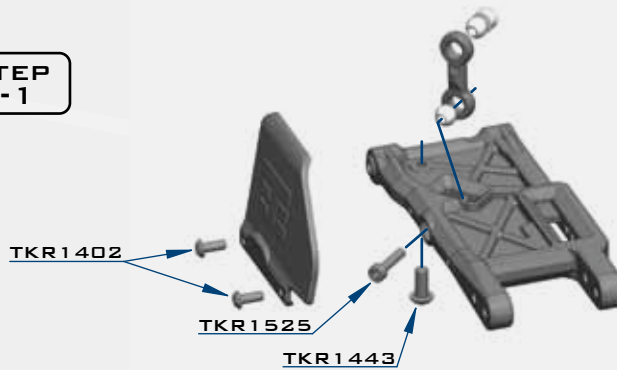
-  x2  
**TKR1201**  
 M3 LOCK NUT BLACK
-  x2  
**TKR1221**  
 M3X8MM WASHER
-  x8  
**TKR1524**  
 M3X12MM CAP HEAD SCREW
-  x4  
**TKR1529**  
 M3X20MM CAP HEAD SCREW

# BAG F

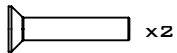
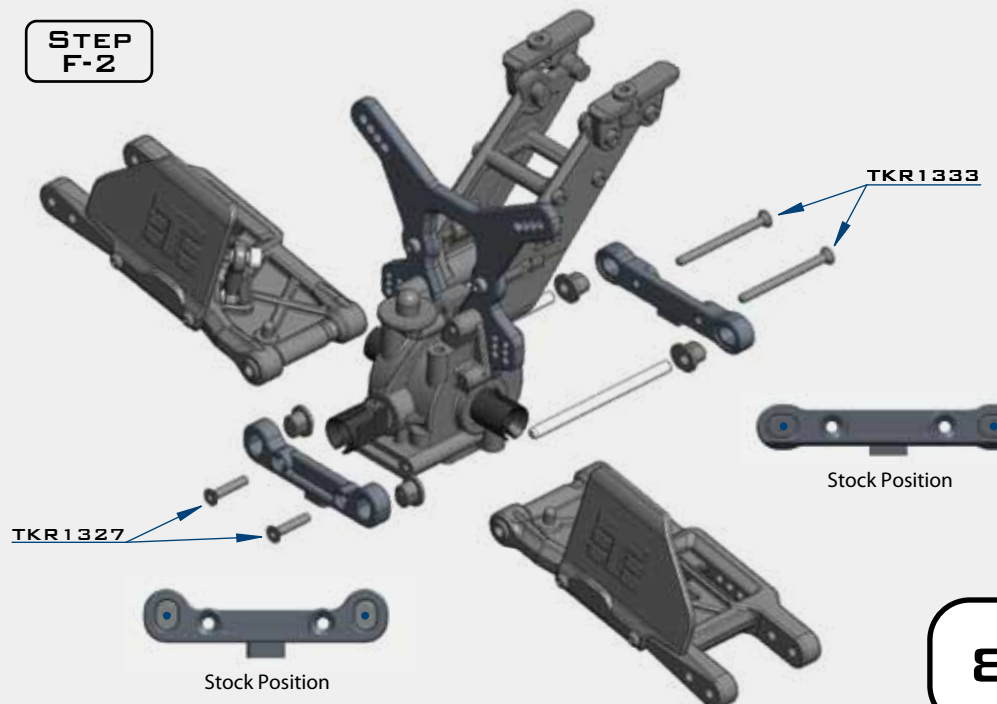
## REAR SUSPENSION (OVERVIEW)



### STEP F-1

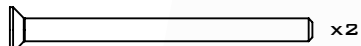


### STEP F-2



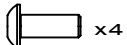
x2

TKR1327  
M3X16MM FLAT HEAD SCREW



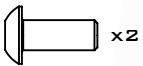
x2

TKR1333  
M3X40MM FLAT HEAD SCREW



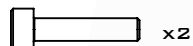
x4

TKR1402  
M3X8MM BUTTON HEAD SCREW



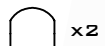
x2

TKR1443  
M4X10MM BUTTON HEAD SCREW



x2

TKR1525  
M3X14MM CAP HEAD SCREW



x2

TKR5049A  
PIVOT BALL SWAY BAR



x2

TKR5079A  
STABILIZER BALL



# BAG F

## REAR SWAY BAR

### STEP F-3

TKR5084 - 2.6MM

(OPTION)

\*TKR5080 - 2.2MM

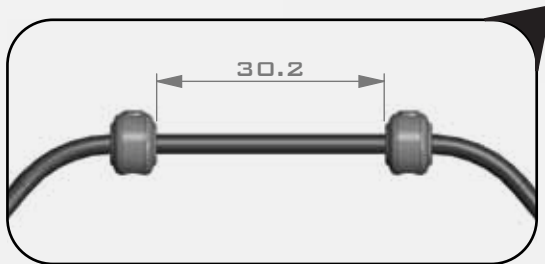
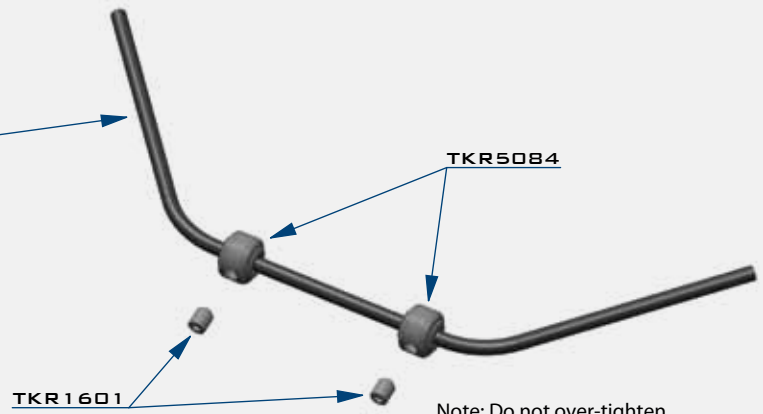
\*TKR5081 - 2.3MM

\*TKR5082 - 2.4MM

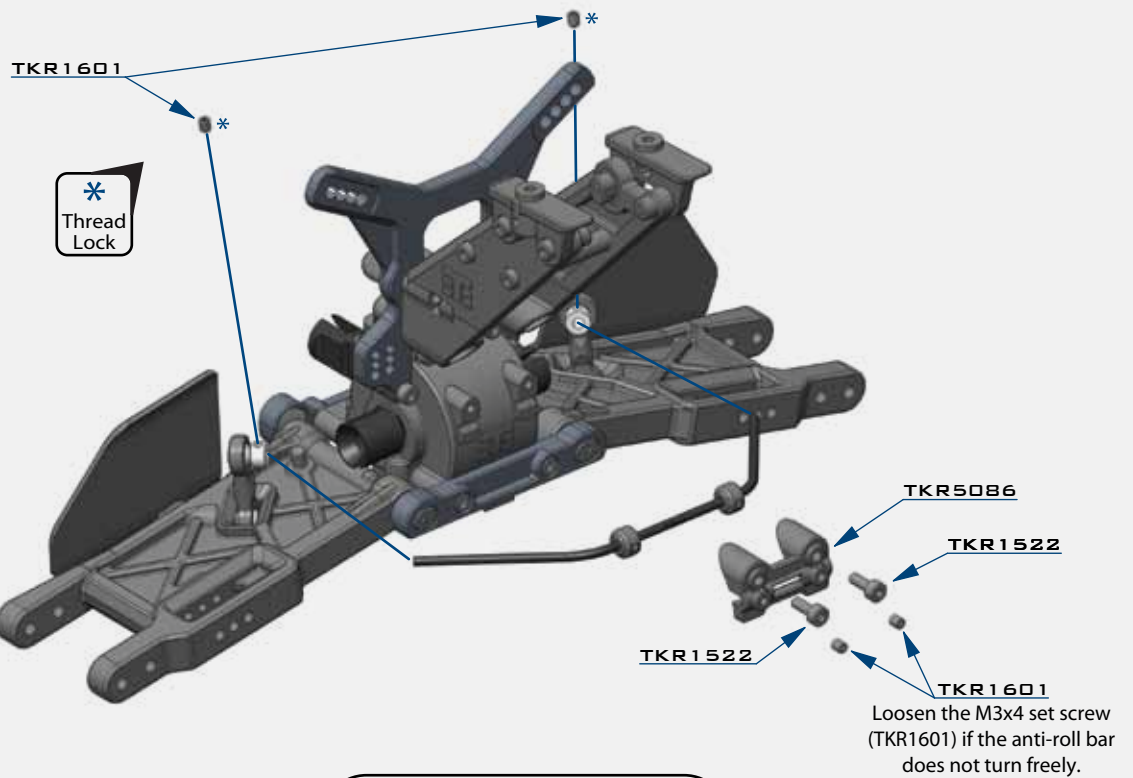
\*TKR5083 - 2.5MM

\*TKR5085 - 2.8MM

\*TKR5087 - 3.0MM



### STEP F-4



x2

TKR1522  
M3x8MM CAP HEAD SCREW



x6

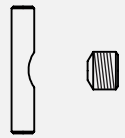
TKR1601  
M3x4MM SET SCREW



Install the Sway Bar Ball onto the Sway Bar Wire until the end of the wire is flush with the ball as picture above.

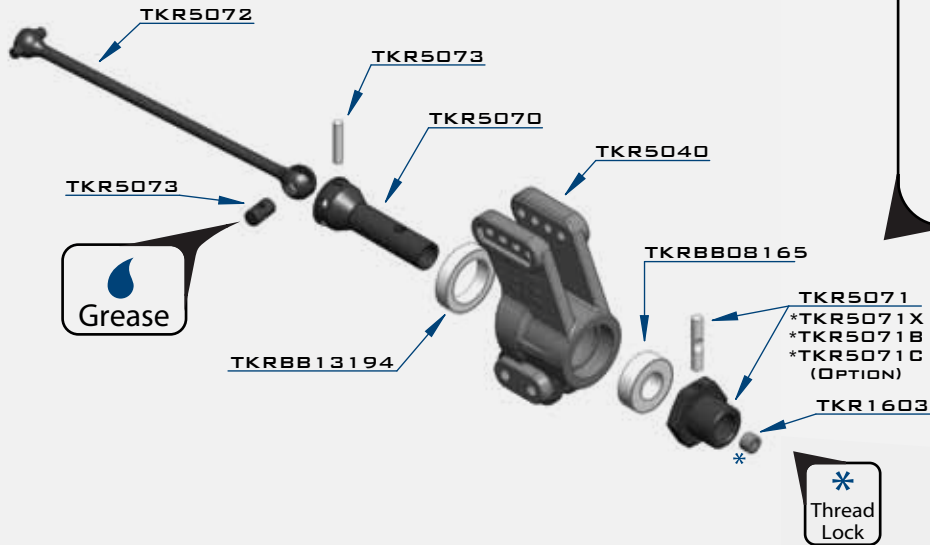
# BAG G

## REAR HUB/CVA ASSEMBLY



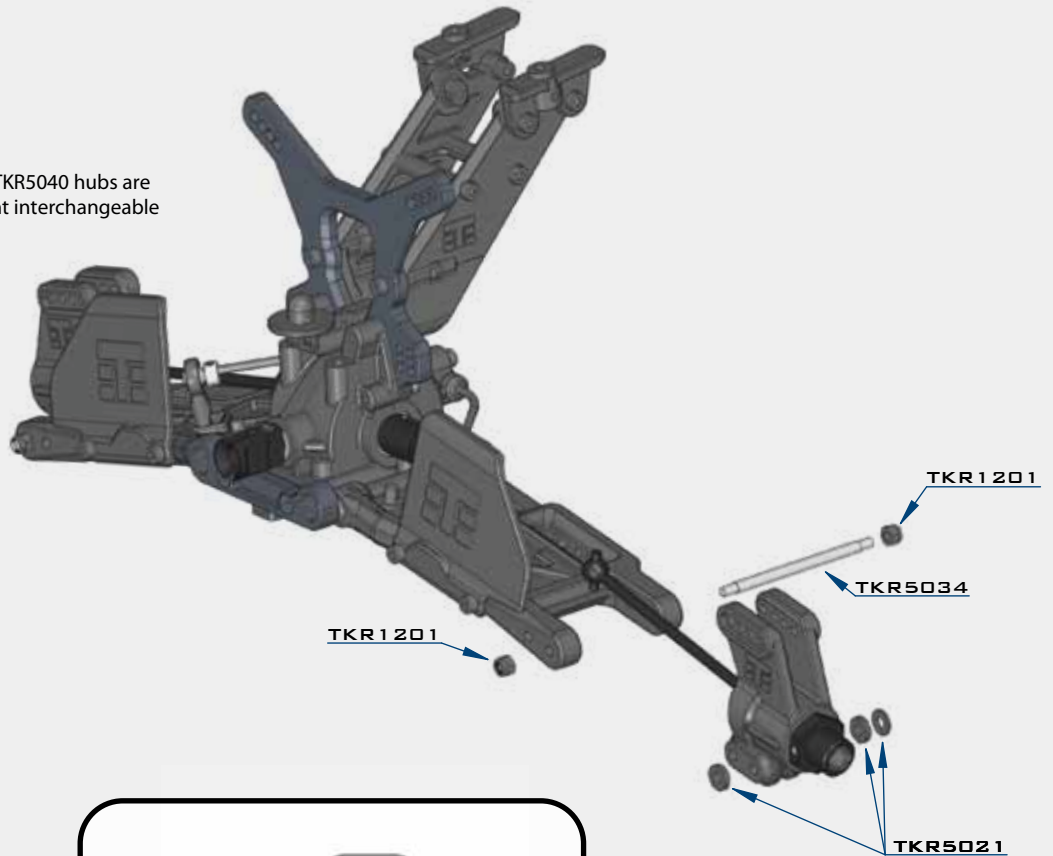
Note: notch on pin needs to line up with set screw.

**STEP G-1**



**STEP G-2**

Note: TKR5040 hubs are left/right interchangeable



x4

TKR1201  
M3 LOCKNUT BLACK



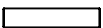
x2

TKR1603  
M5X4MM SET SCREW



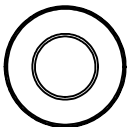
x2

TKR5071  
M3X16.8MM PIN



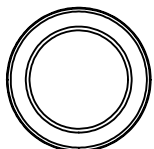
x2

TKR5073  
CV JOINT PIN



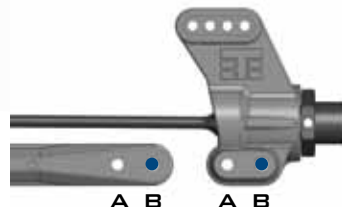
x2

TKRBB08165  
BALL BEARING (8X16X5)



x2

TKRBB13194  
BALL BEARING (13X19X4)



A B A B

Hole "B" is the stock position

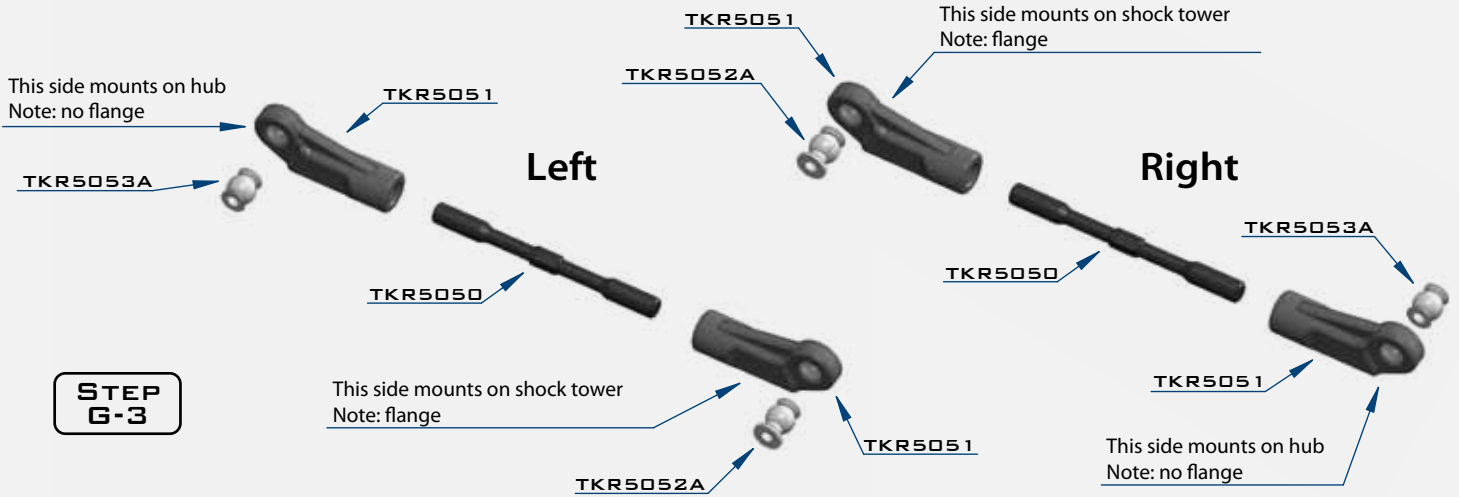
\*Only use hole A in the arm with hole A in the hub

\*Only use hole B in the arm with hole B in the hub

The outside hole offers greater stability and is recommended for bumpy open tracks. Inside hole offers greater amount of steering and is recommended for flat technical tracks.

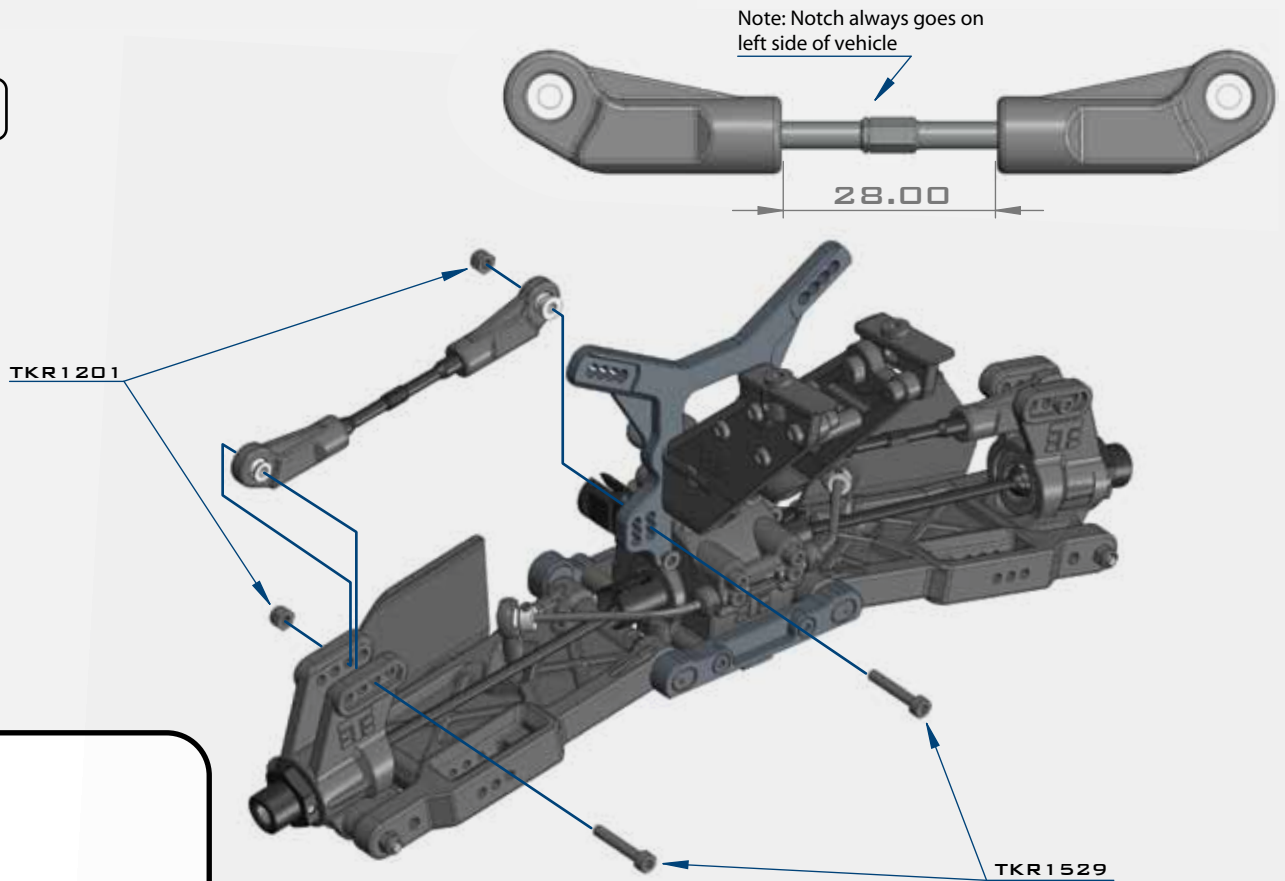
# BAG G

## REAR CAMBER LINKS



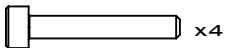
**STEP  
G-3**

**STEP  
G-4**



x4

TKR1201  
M3 LOCKNUT BLACK



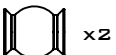
x4

TKR1529  
M3X20MM CAP HEAD SCREW



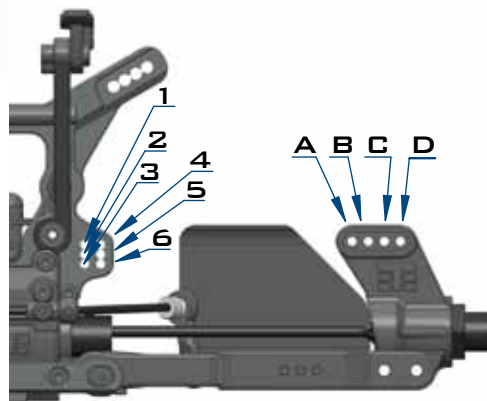
x2

TKR5052A  
PIVOT BALL M3X6.8MM



x2

TKR5053A  
PIVOT BALL M3X6.8MM  
NO FLANGE



Stock position is 2 / B



# BAG H

## FRONT SWAY BAR

TKR5083 - 2.5MM

(OPTION)

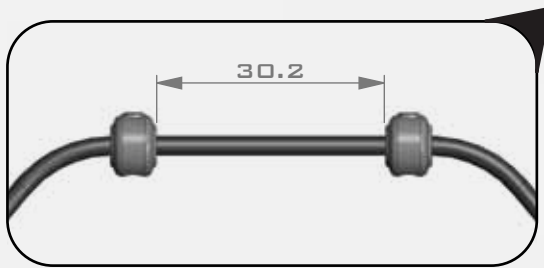
- \*TKR5080 - 2.2MM
- \*TKR5081 - 2.3MM
- \*TKR5082 - 2.4MM
- \*TKR5084 - 2.6MM
- \*TKR5085 - 2.8MM
- \*TKR5087 - 3.0MM

**STEP  
H-3**

TKR1601

TKR5083

Note: Do not over-tighten



**STEP  
H-4**

TKR1601

TKR1601

\*  
Thread  
Lock

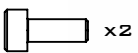
TKR5086

TKR1522

TKR1601

TKR1522

Loosen the M3x4 set screw (TKR1601) if the anti-roll bar does not turn freely.



TKR1522  
M3x8MM CAP HEAD SCREW



TKR1601  
M3x4MM SET SCREW



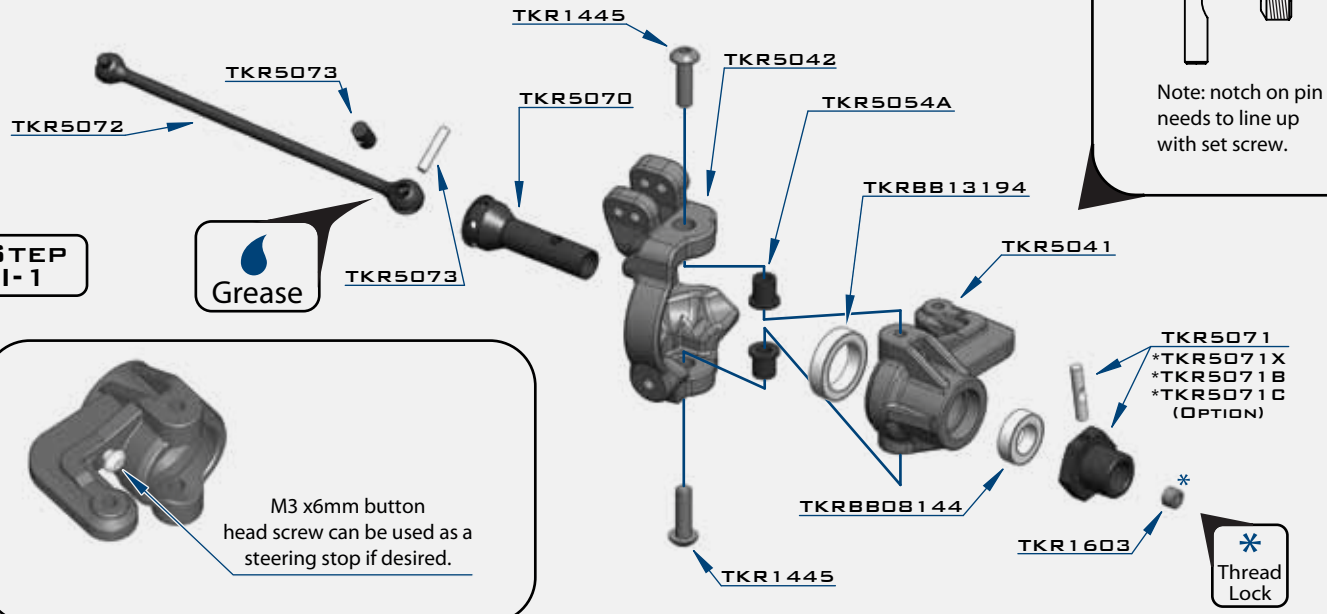
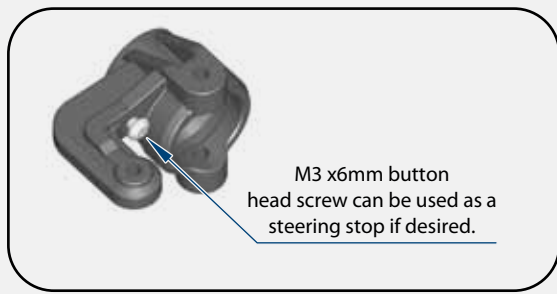
Install the Sway Bar Ball onto the Sway Bar Wire until the end of the wire is flush with the ball as picture above.

# BAG I

## FRONT STEERING

Note: notch on pin needs to line up with set screw.

STEP I-1



x4  
TKR1445  
M4x14MM BUTTON HEAD SCREW

x2  
TKR1447  
M4x16MM BUTTON HEAD SCREW

x2  
TKR1448  
M4x18MM BUTTON HEAD SCREW

x2  
TKR1603  
M5x4MM SET SCREW

x4  
TKR5054A  
SPINDLE PIN SLEEVE

x4  
TKR5055A  
SUSPENSION PIN SLEEVE FRONT

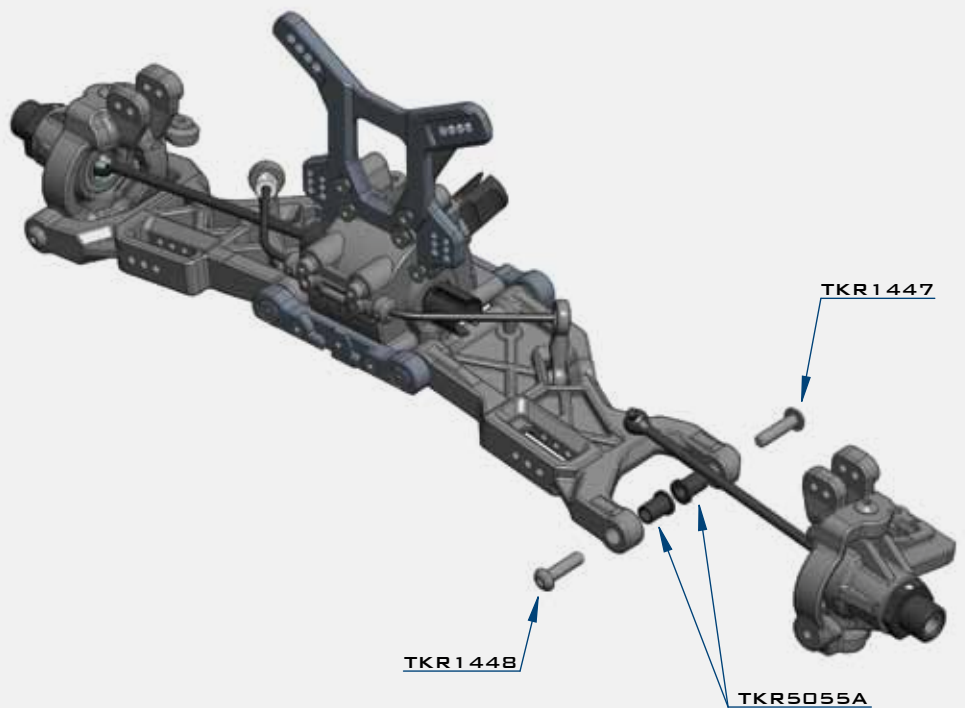
x2  
TKR5071  
M3x16.8MM PIN

x2  
TKR5073  
CV JOINT PIN

x2  
TKRBB08144

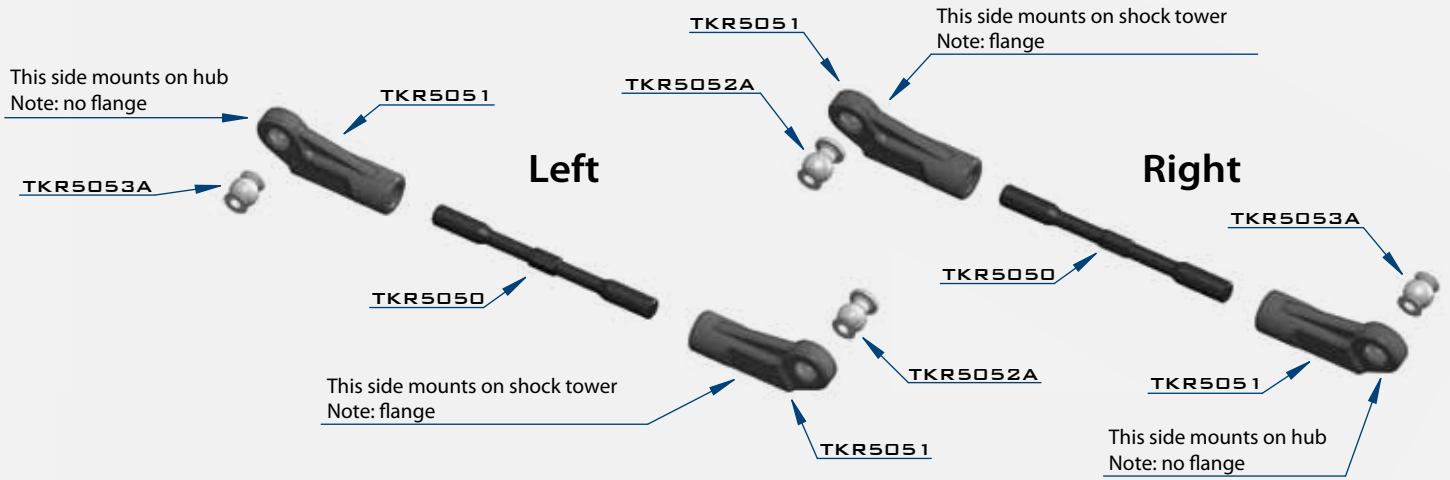
x2  
TKRBB13194

STEP I-2

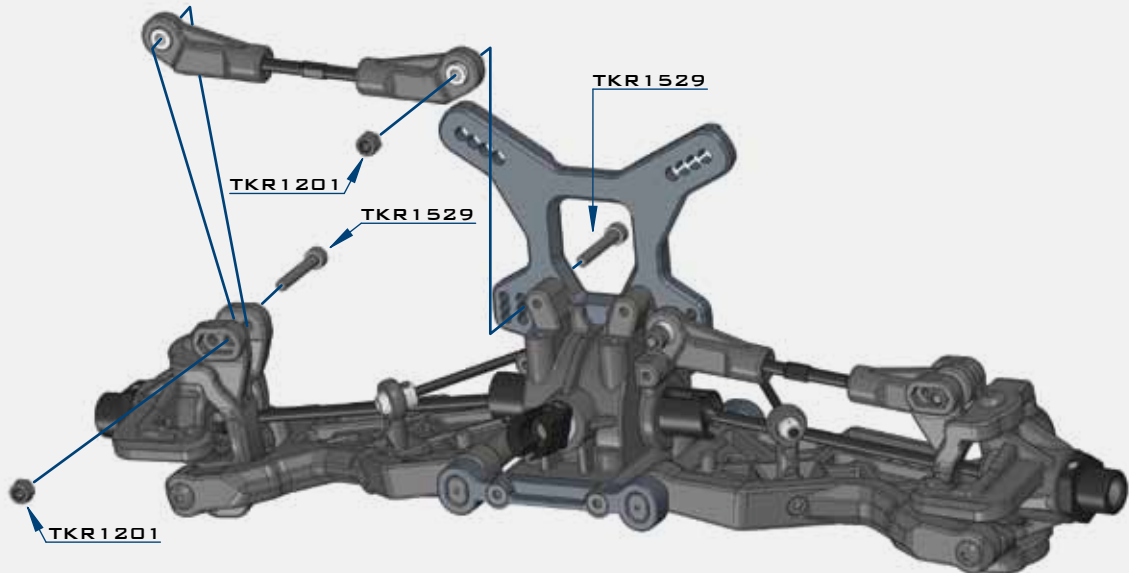


# BAG I

## FRONT CAMBER LINKS



**STEP**  
1-4



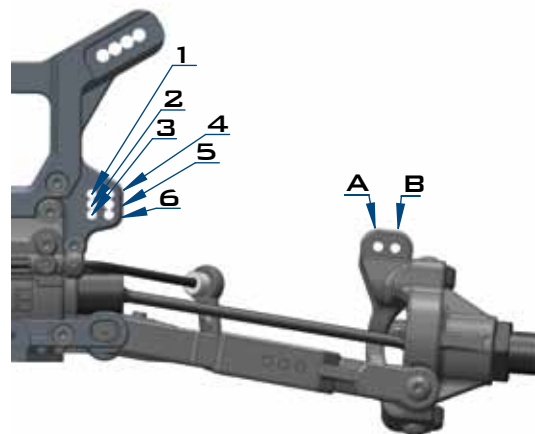
Note: Notch always goes on left side of vehicle

x4  
TKR1201  
M3 LOCK NUT BLACK

x4  
TKR1529  
M3X20MM CAP HEAD SCREW

x2  
TKR5052A  
PIVOT BALL M3X6.8MM

x2  
TKR5053A  
PIVOT BALL M3X6.8MM  
NO FLANGE



Stock position is 2A

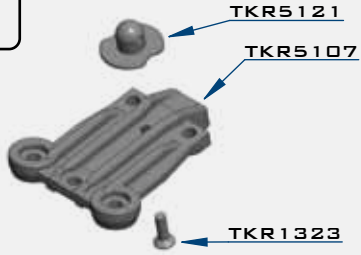




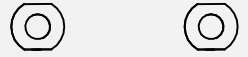
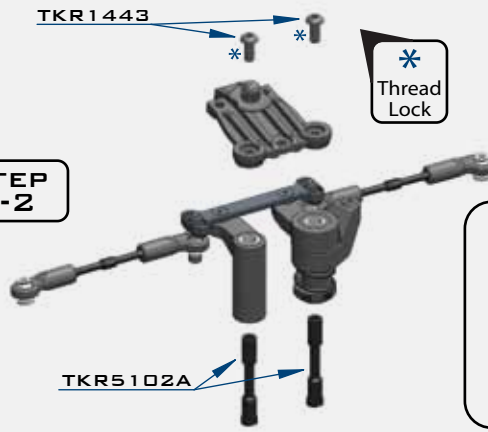
# BAG K

## FRONT END ASSEMBLY

### STEP K-1



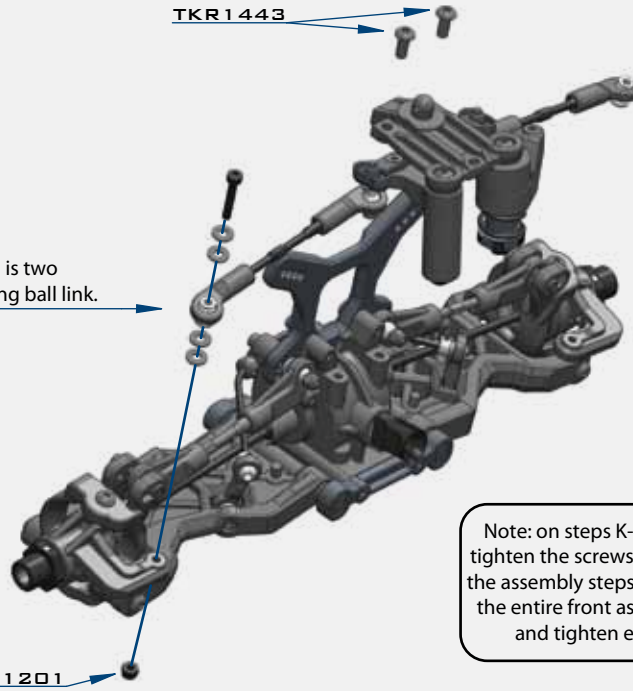
### STEP K-2



Note Step K-2:  
Line up the bottom of the steering posts (TKR5102A) with the corresponding recess cut in the chassis.

### STEP K-3

Note: Initial bumpsteer setting is two washers above and below the steering ball link.



Note: on steps K-2, K-3 and K-4 Do not tighten the screws all the way down until the assembly steps are complete. Position the entire front assembly on the chassis and tighten each screw evenly.

x2  
TKR1201  
M3 LOCK NUT BLACK

x8  
TKR1221  
M3x8MM WASHER

x1  
TKR1323  
M3x10MM FLAT HEAD SCREW

x2  
TKR1343  
M4x10MM FLAT HEAD SCREW

x4  
TKR1344  
M4x12MM FLAT HEAD SCREW

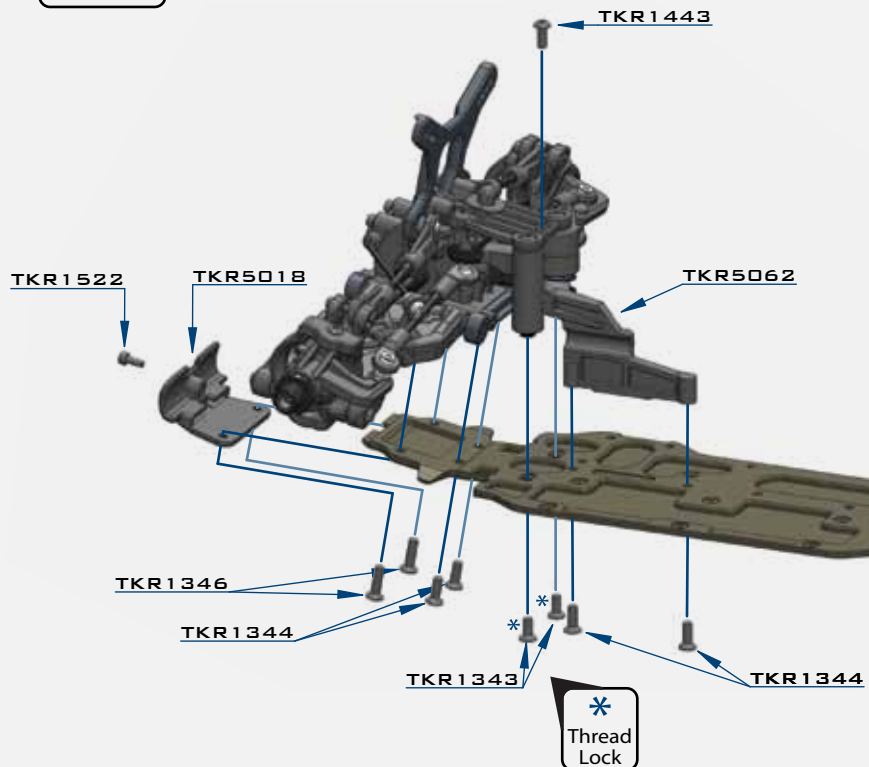
x2  
TKR1346  
M4x15MM FLAT HEAD SCREW

x5  
TKR1443  
M4x10MM BUTTON HEAD SCREW

x1  
TKR1522  
M3x8MM CAP HEAD SCREW

x2  
TKR1529  
M3x20MM CAP HEAD SCREW

### STEP K-4

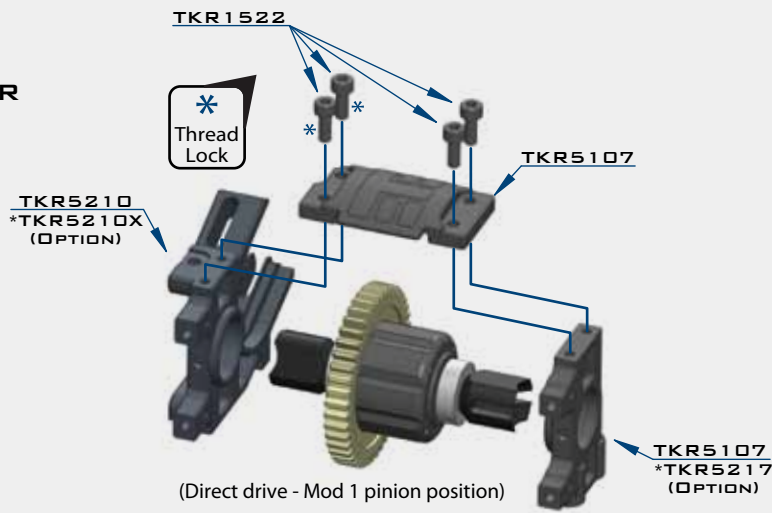


\*  
Thread Lock

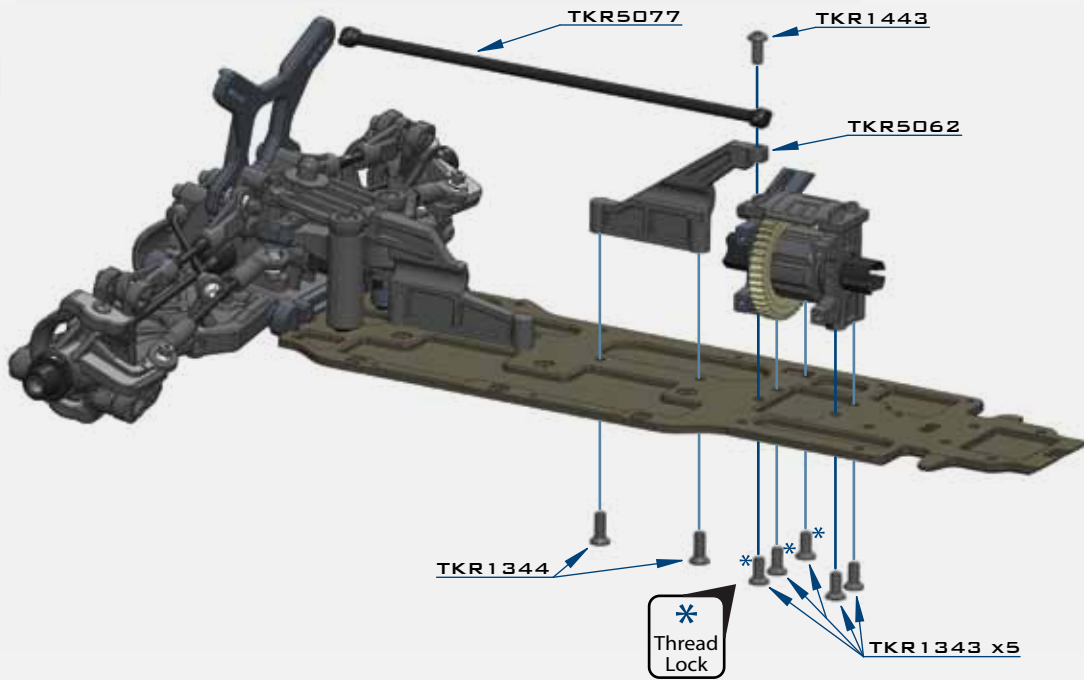
# BAG L

## CENTER/REAR ASSEMBLY

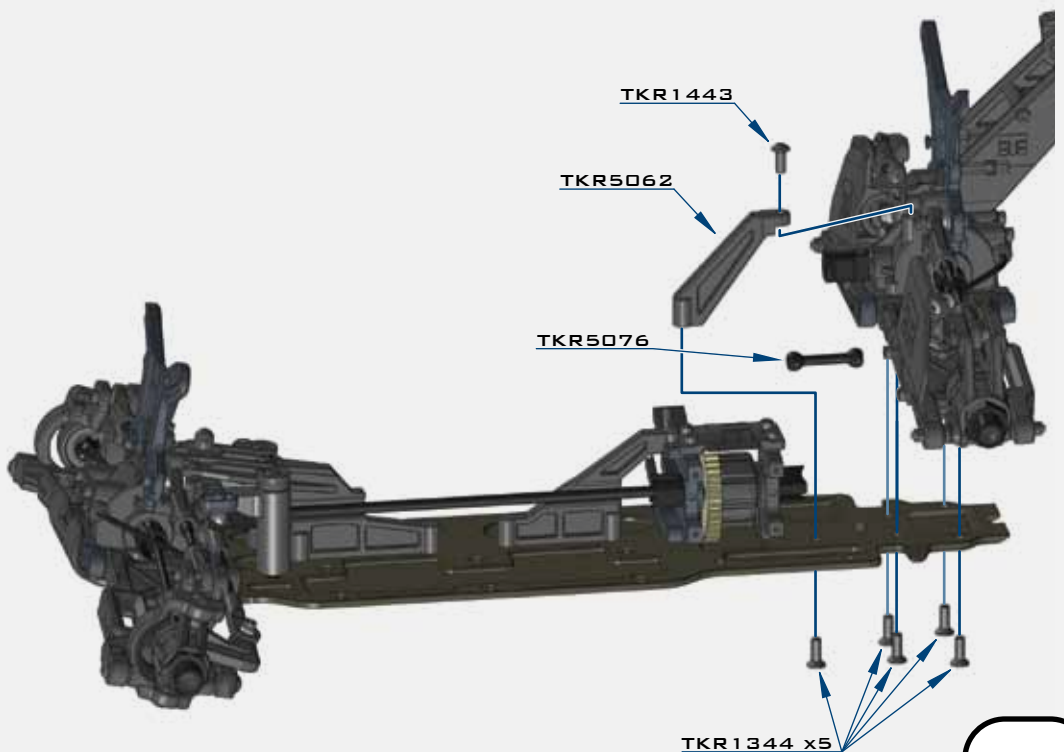
STEP L-1



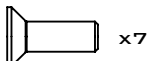
STEP L-2



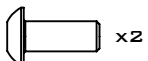
STEP L-3



TKR1343  
M4x10MM FLAT HEAD SCREW



TKR1344  
M4x12MM FLAT HEAD SCREW



TKR1443  
M4x10MM BUTTON HEAD SCREW



TKR1522  
M3x8MM CAP HEAD SCREW

# SHOCK FILLING INSTRUCTIONS

## FOR BOTH FRONT AND REAR SHOCKS

The following steps and information will provide you with the proper way to fill and bleed your Tekno RC EB48 shocks.

After thorough testing, we've found it's easiest to complete steps 1 through 3 on each shock before moving onto step 4. By the time you've finished step 3 on the last shock the first one should be ready for step 4.

- Step 1. Extend the shock shaft all the way down. Fill the shock with oil until the body is approximately 90% full.
- Step 2. Slowly pump the shock shaft up and down about 3-5 times to release air bubbles from underneath the piston.
- Step 3. Let the shock rest vertically with the shock shaft fully extended for five minutes or until all of the air bubbles have released.
- Step 4. Push the shaft in to the amount of rebound desired. For example, to achieve little or no rebound, push the shaft in all the way (in this case, about 1/4" of shaft showing). For 50% rebound, push the shaft in half way. Make sure that you match the rebound amount between the left and right shocks. We've found that running the least amount of (0%) rebound in both the front and rear shocks gives the most consistent overall performance.
- Step 5. Next you will top off the shock with oil. The goal is not to fill the body completely, but only to fill it enough so that when the bladder is placed on top there will be no air underneath. If you do overfill the shock, it won't hurt performance, it will just spill out and make a little bit of a mess.
- Step 6. In this step you will be placing the bladder on top the shock body. While holding the shock shaft in the desired position from step 4, push the bladder down onto the shock body using your fingertip to fully seat the lip of the bladder onto the rim of the shock body. If done correctly a small amount of oil should bleed out. If no oil is released you may have some air trapped underneath the bladder and you will need to remove the bladder and repeat step 5. Once the bladder is seated onto the shock body, pull the shock shaft down about 20mm. This will "suck" the bladder down and hold it in place. Carefully wipe away the excess oil that was bled, being careful not to disrupt the seal of the bladder on the shock body.
- Step 7. While continuing to hold the shock vertically, screw the shock cap down onto the body and tighten fully. The cap will bottom out easily, but the bladder will be sealed tight. You can use an adjustable wrench to hold the bottom of the shock while tightening the shock cap down to be sure they are tight.

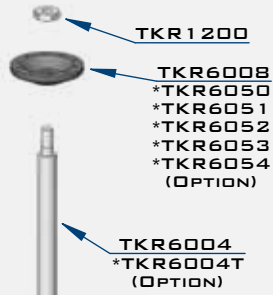
You can build the shocks in any manner you prefer, but we've found this way provides the best handling and more consistent shocks. They will also last longer between rebuilds.

Use part #'s TKR6008 (pistons and guides) and TKR6009/TKR6009B (o-ring pack) to rebuild your shocks regularly.

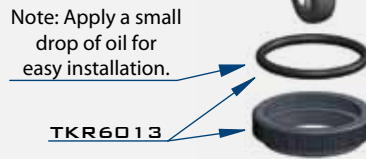
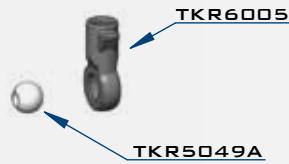
# BAG M

## FRONT SHOCK ASSEMBLY

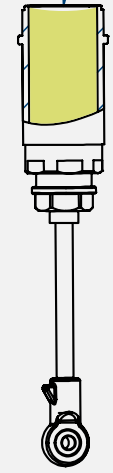
### STEP M-1



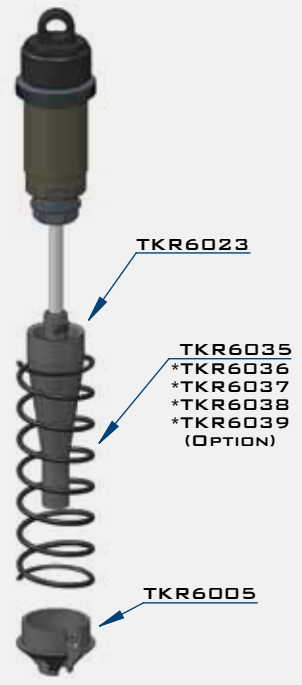
Note: front shocks use shorter shock bodies - TKR6002, shorter shock shafts - TKR6004, shorter springs - TKR6035 and shorter shock boots - TKR6023



Fill oil level just below the top of the shock body.  
Use #450 Oil Front

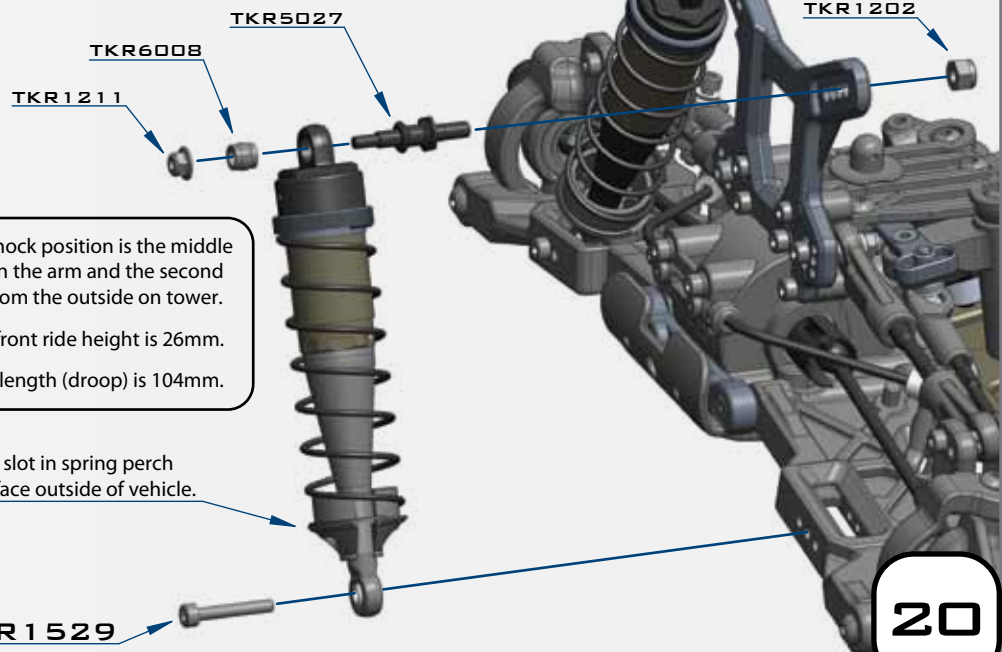


### STEP M-2






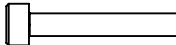

Note: make sure to tighten both cartridge cap (TKR6015) and shock cap (TKR6003) to ensure a proper seal. Tools may be required.

### STEP M-3



Stock shock position is the middle hole on the arm and the second hole from the outside on tower.  
Stock front ride height is 26mm.  
Shock length (droop) is 104mm.

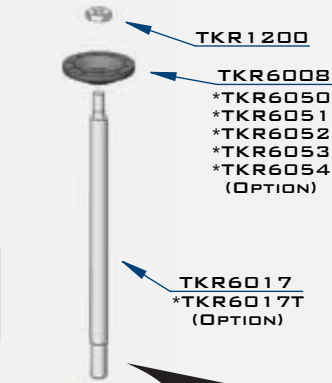
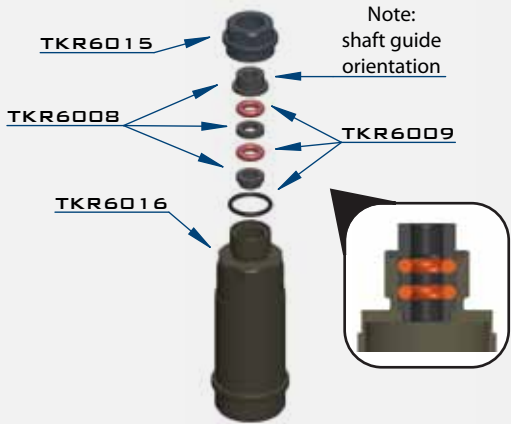
Note: slot in spring perch should face outside of vehicle.

-  x2  
TKR1200  
HEX 4035 - M2.5
-  x2  
TKR1202  
M4 LOCK NUT BLACK
-  x2  
TKR1211  
M3 LOCK NUT FLANGE BLACK
-  x2  
TKR1529  
M3x20MM CAP HEAD SCREW
-  x2  
TKR5027  
SHOCK STAND OFF

# BAG N

## REAR SHOCK ASSEMBLY

### STEP N-1



Note: rear shocks use longer shock bodies - TKR6016, longer shock shafts - TKR6017, longer springs - TKR6034 and longer shock boots - TKR6023



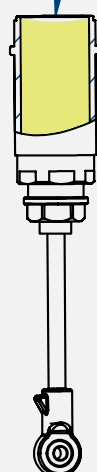
Note: Use green slime or oil on shock shaft threads AND O-rings to prevent tearing and leaking.



Note: Apply a small drop of oil for easy o-ring installation.

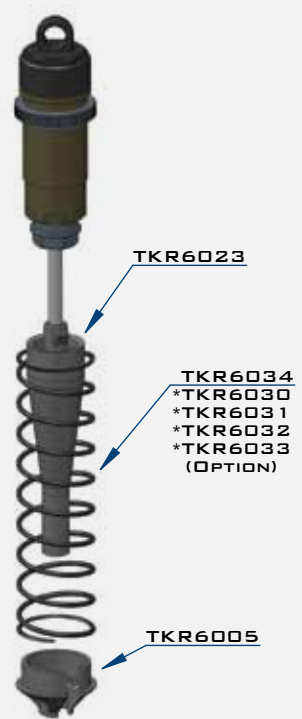


Fill oil level just below the top of the shock body  
Use #350 Oil Rear

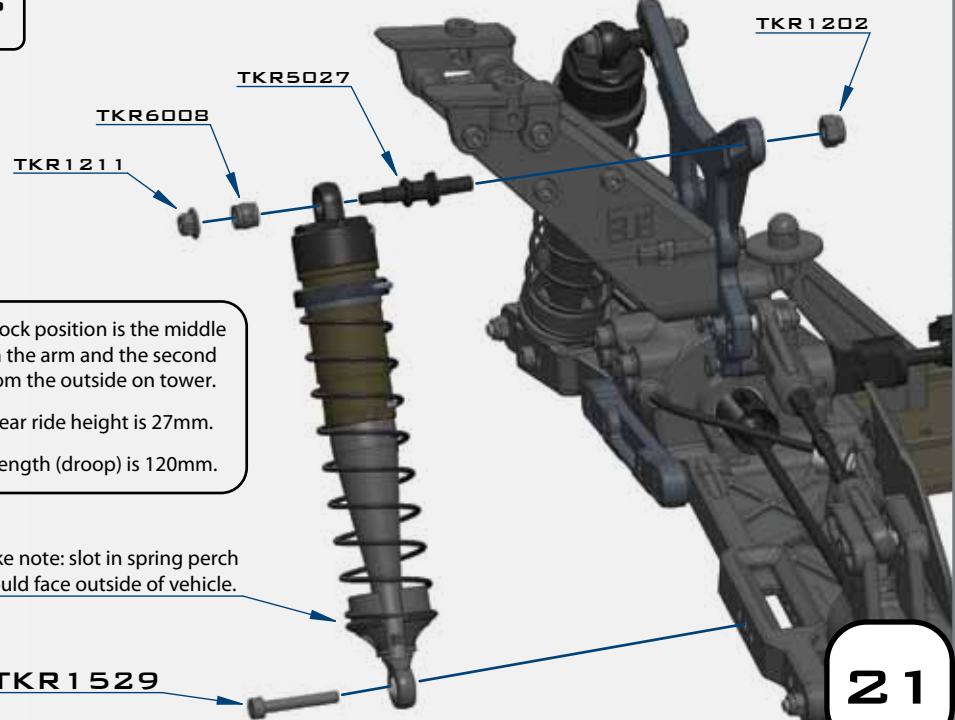


Note: make sure to tighten both cartridge cap (TKR6015) and shock cap (TKR6003) to ensure a proper seal. Tools may be required.

### STEP N-2




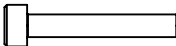



### STEP N-3



Stock shock position is the middle hole on the arm and the second hole from the outside on tower.  
Stock rear ride height is 27mm.  
Shock length (droop) is 120mm.

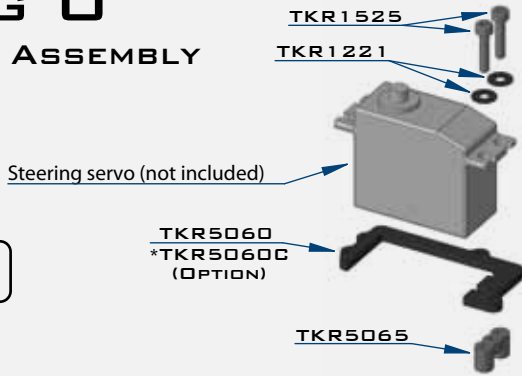
Make note: slot in spring perch should face outside of vehicle.

-  x2  
TKR1200  
HEX 4035 - M2.5
-  x2  
TKR1202  
M4 LOCK NUT BLACK
-  x2  
TKR1211  
M3 LOCK NUT FLANGE BLACK
-  x2  
TKR1529  
M3x20MM CAP HEAD SCREW
-  x2  
TKR5027  
SHOCK STAND OFF

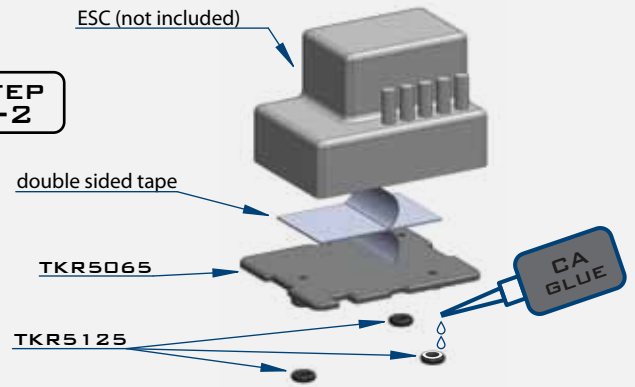
# BAG 0

## FINAL ASSEMBLY

**STEP 0-1**

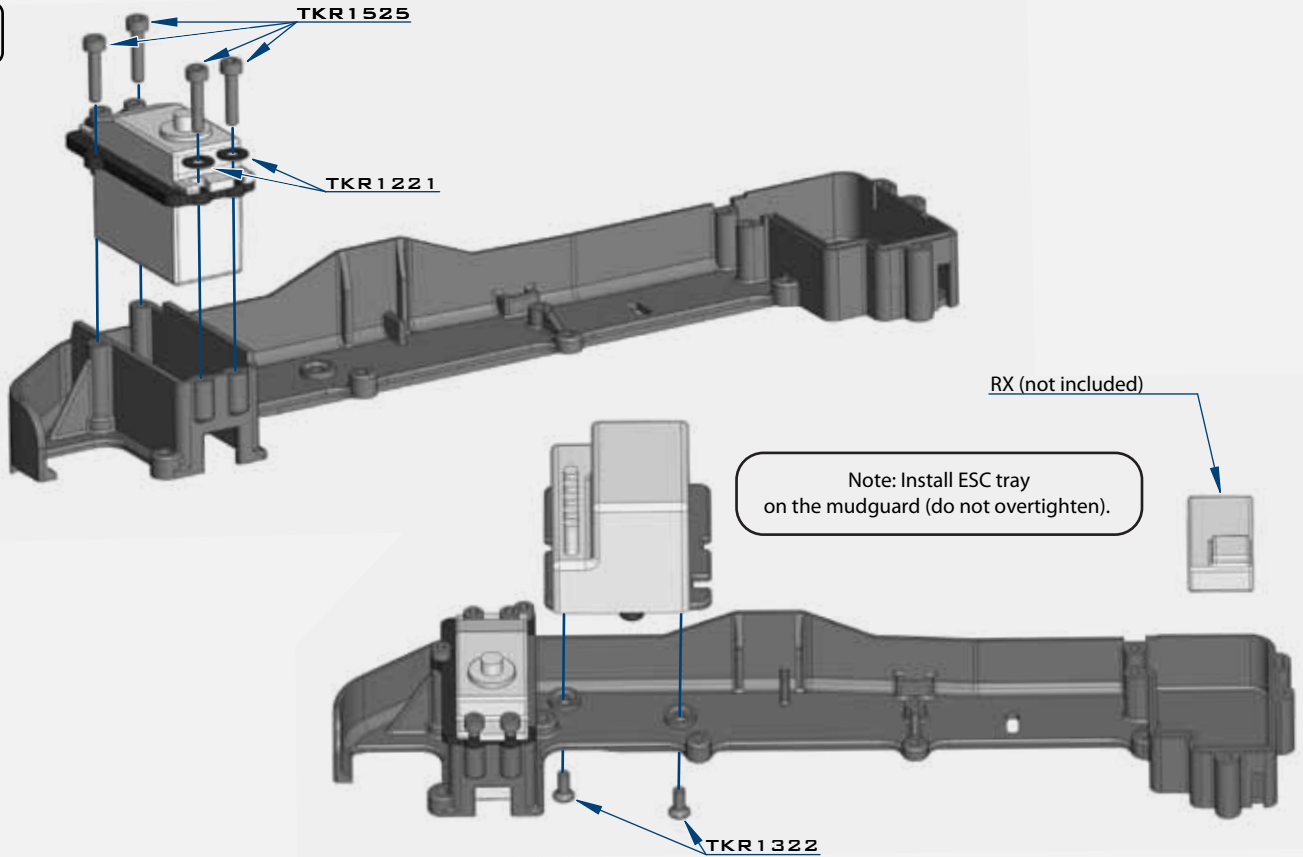


**STEP 0-2**



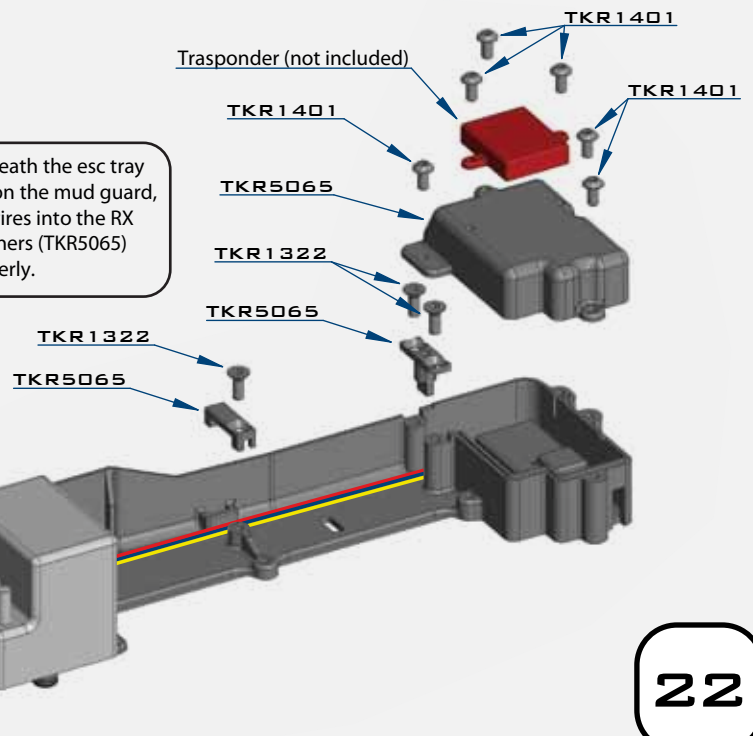
Note: CA glue 3 black o-rings (TKR5125) to the bottom legs of the ESC tray.

**STEP 0-3**



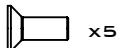
**STEP 0-4**

Note: Feed the servo wire underneath the esc tray in between the mounting screws on the mud guard, then feed both ESC and servo wires into the RX box as shown. Install wire retainers (TKR5065) to secure them properly.



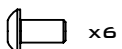
x4

TKR1221  
M3X8MM WASHER



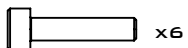
x5

TKR1322  
M3X8MM FLAT HEAD SCREW



x6

TKR1401  
M3X6MM BUTTON HEAD SCREW



x6

TKR1525  
M3X14MM CAP HEAD SCREW



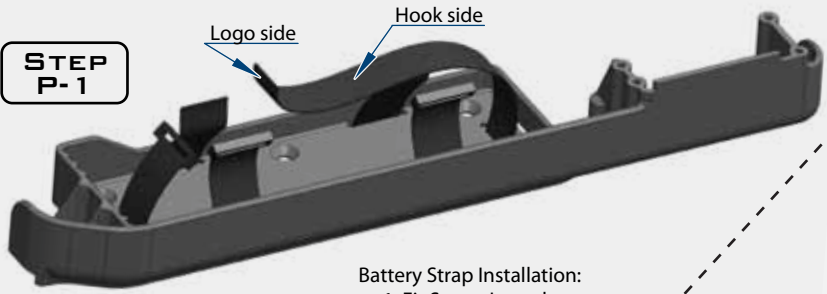
x3

TKR5125  
O-RING 3X7MM

# BAG P

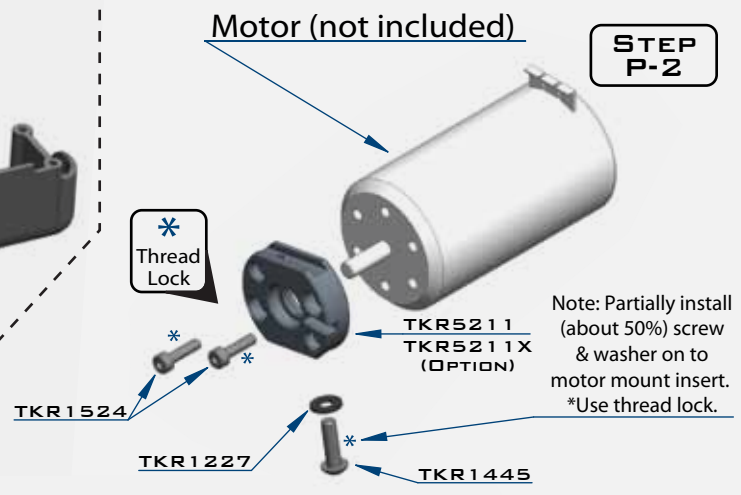
## FINAL ASSEMBLY

**STEP P-1**



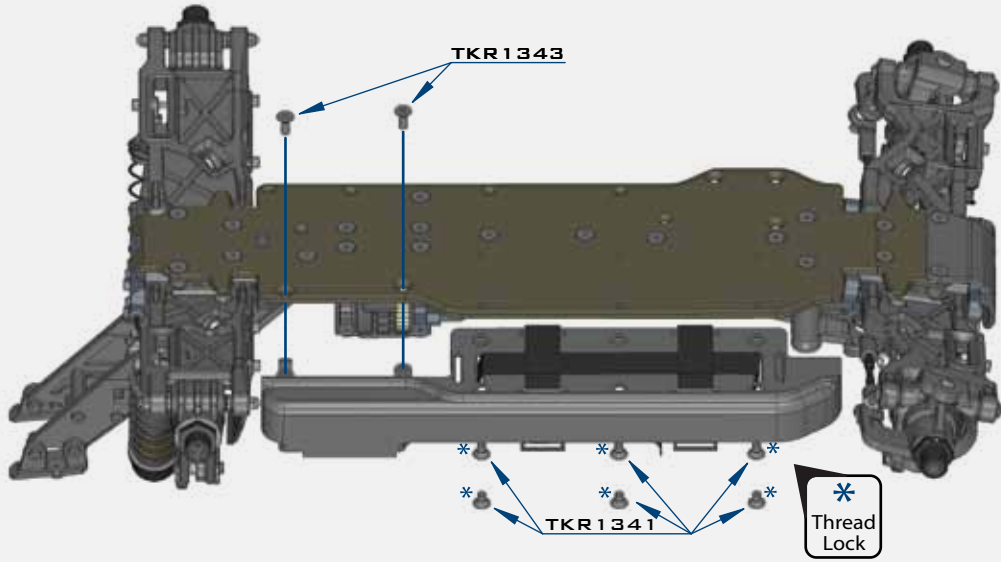
Battery Strap Installation:  
 1. Fit Straps Loosely  
 2. Position On Chassis  
 3. Proceed To P-2

**STEP P-2**

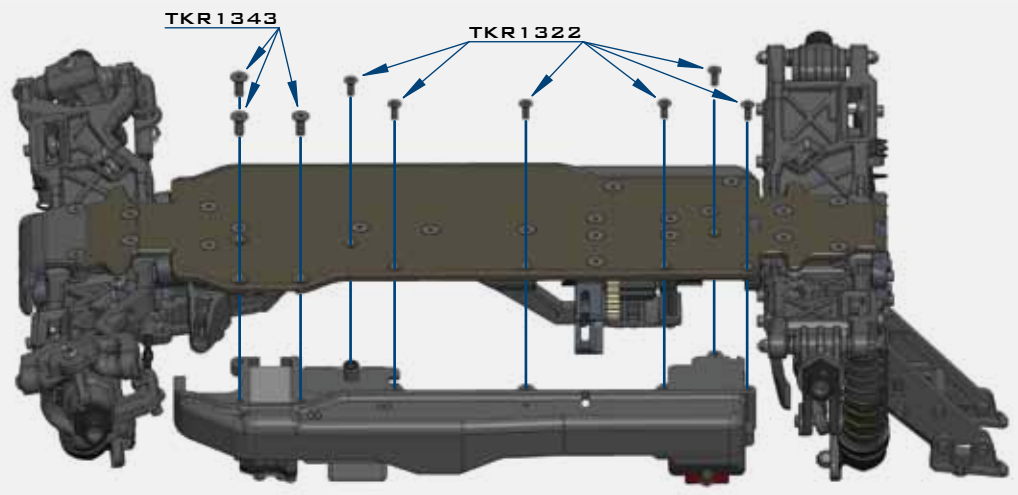



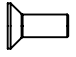
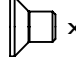



Note: Partially install (about 50%) screw & washer on to motor mount insert.  
 \*Use thread lock.

**STEP P-3**

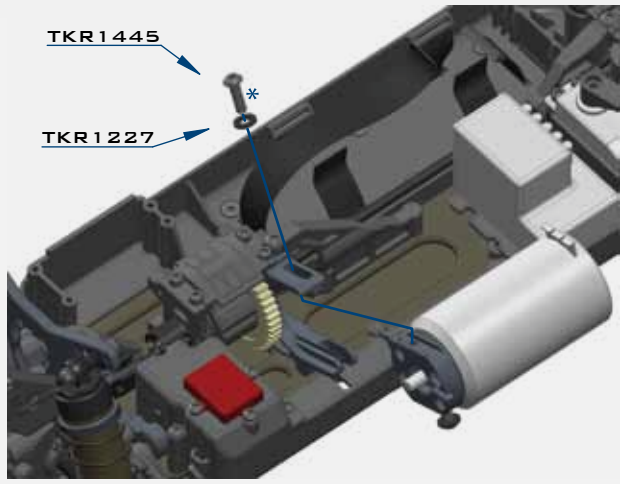


**STEP P-4**



-  x2  
TKR1227  
M4X9MM WASHER
-  x6  
TKR1322  
M3X8MM FLAT HEAD SCREW
-  x6  
TKR1341  
M4X6MM FLAT HEAD SCREW
-  x5  
TKR1343  
M4X10MM FLAT HEAD SCREW
-  x2  
TKR1445  
M4X14MM BUTTON HEAD SCREW
-  x2  
TKR1524  
M3X12MM CAP HEAD SCREW

**STEP P-5**

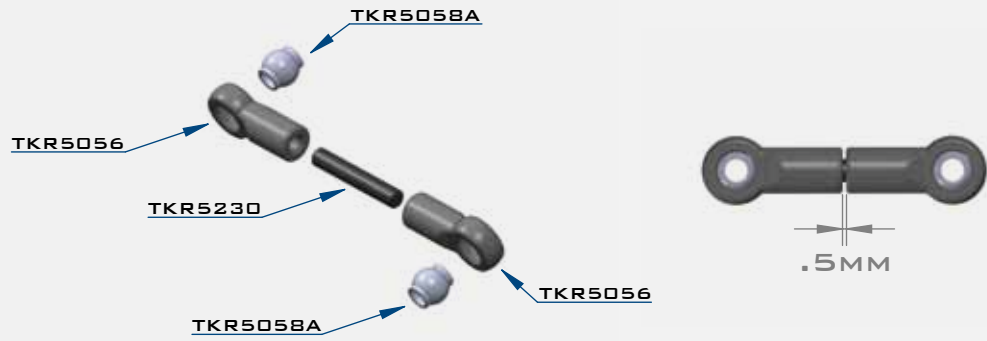


Note: Install MOD1 pinion (TKR4171-4190) or Tekno RC Traktion Drive / Elektri-Clutch slipper system (TKR4301X) at this step. Adjust gear mesh and tighten screws (TKR1445) well.  
 \*Use thread lock.

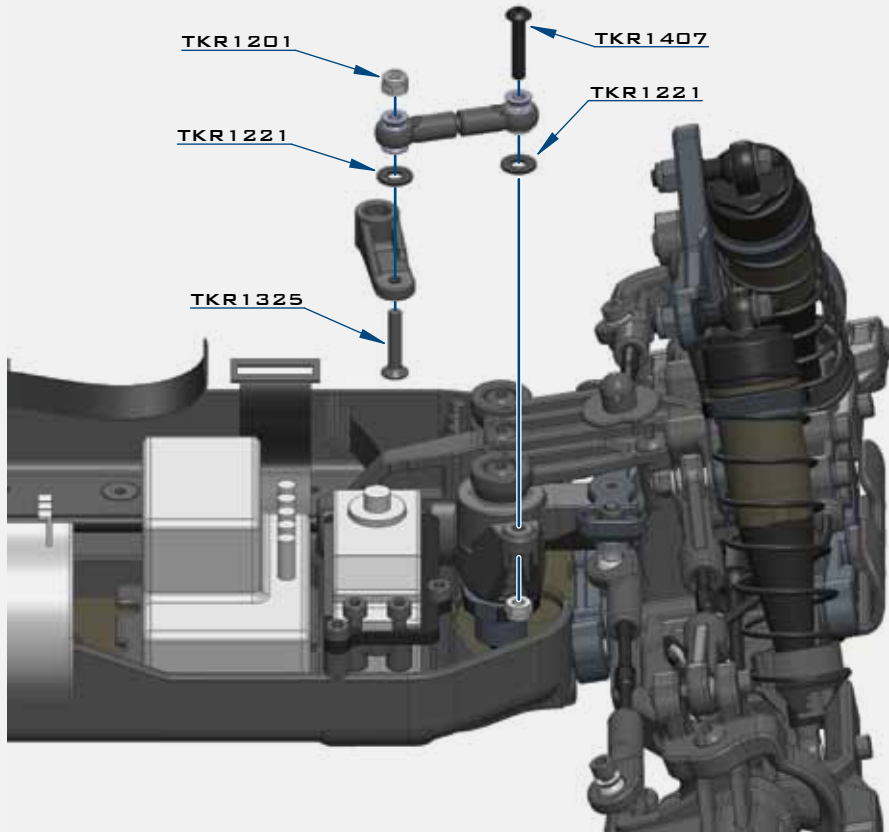
# BAG P

## FINAL ASSEMBLY






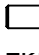
**STEP  
P-6**

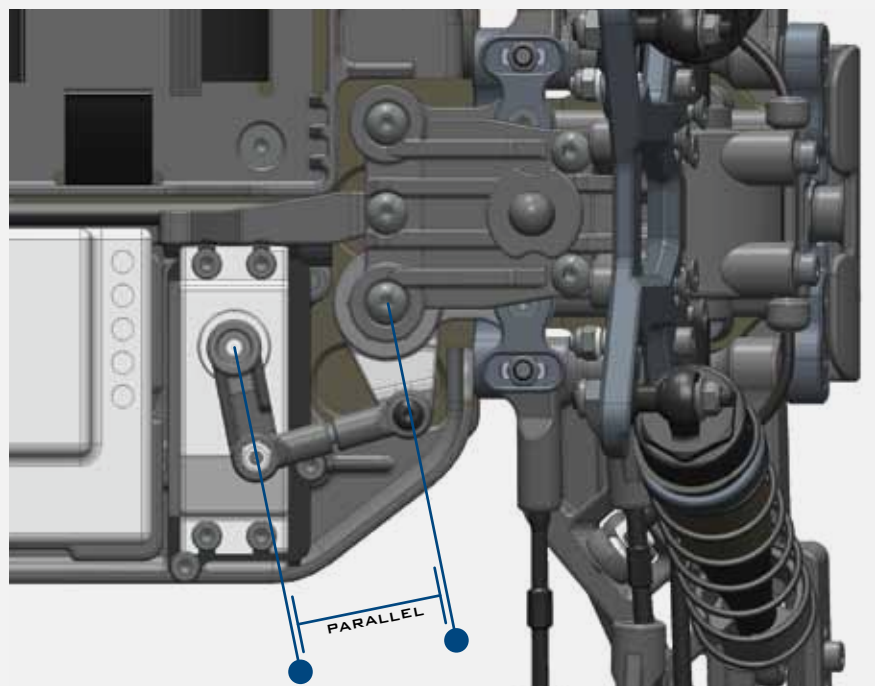


**STEP  
P-7**



**STEP  
P-8**

-  x1  
TKR1201  
M3 LOCK NUT BLACK
-  x2  
TKR1221  
M3X8MM WASHER
-  x1  
TKR1325  
M3X14MM FLAT HEAD SCREW
-  x1  
TKR1407  
M3X16MM BUTTON HEAD SCREW
-  x2  
TKR5058A  
PIVOT BALL M3X5.8MM  
NO FLANGE
-  x1  
TKR5230  
M3X18 THREADED ROD



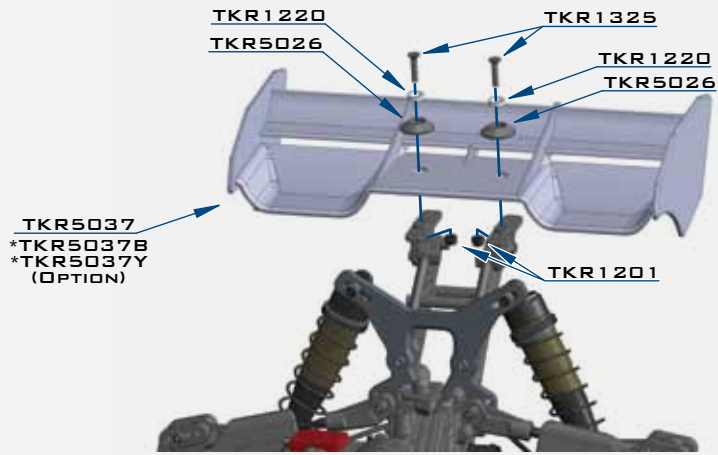
Note: Offset servo arm so it is parallel with the connecting arm at neutral or zero servo position.



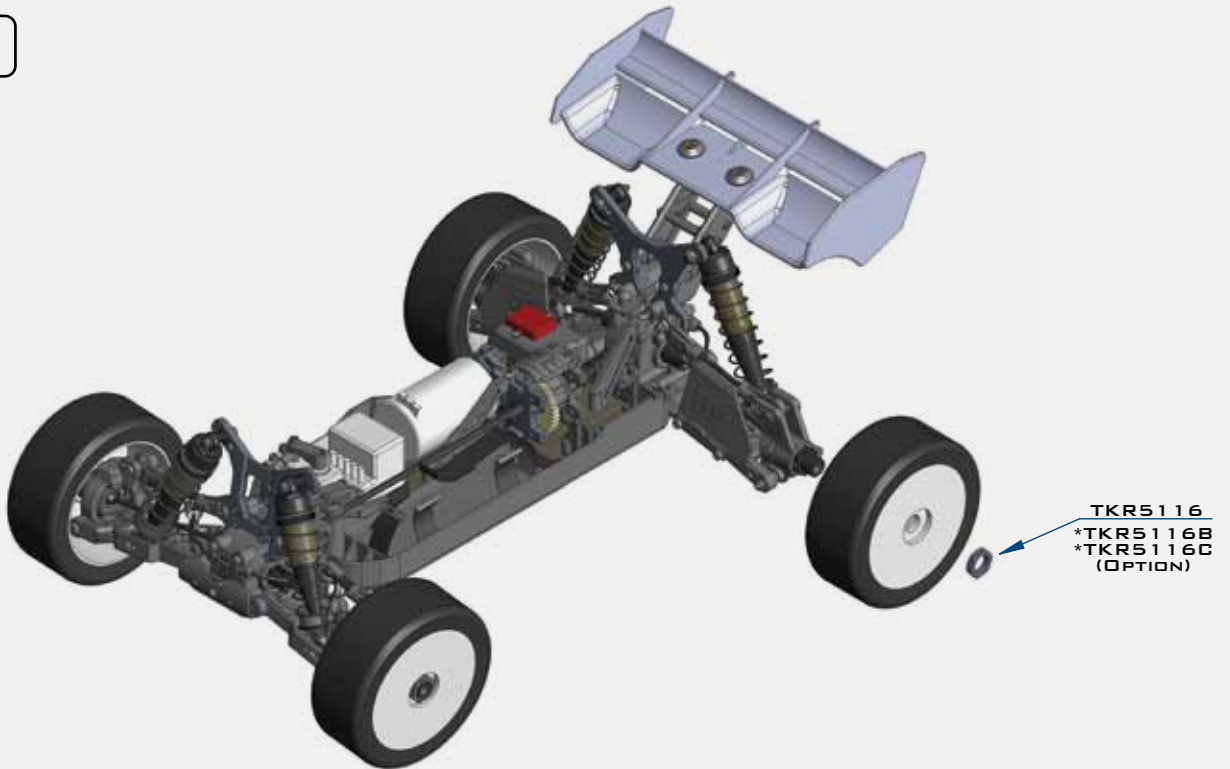
# BAG Q

## WING/WHEELS/BODY

**STEP Q-1**


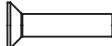

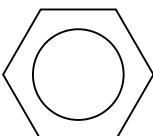


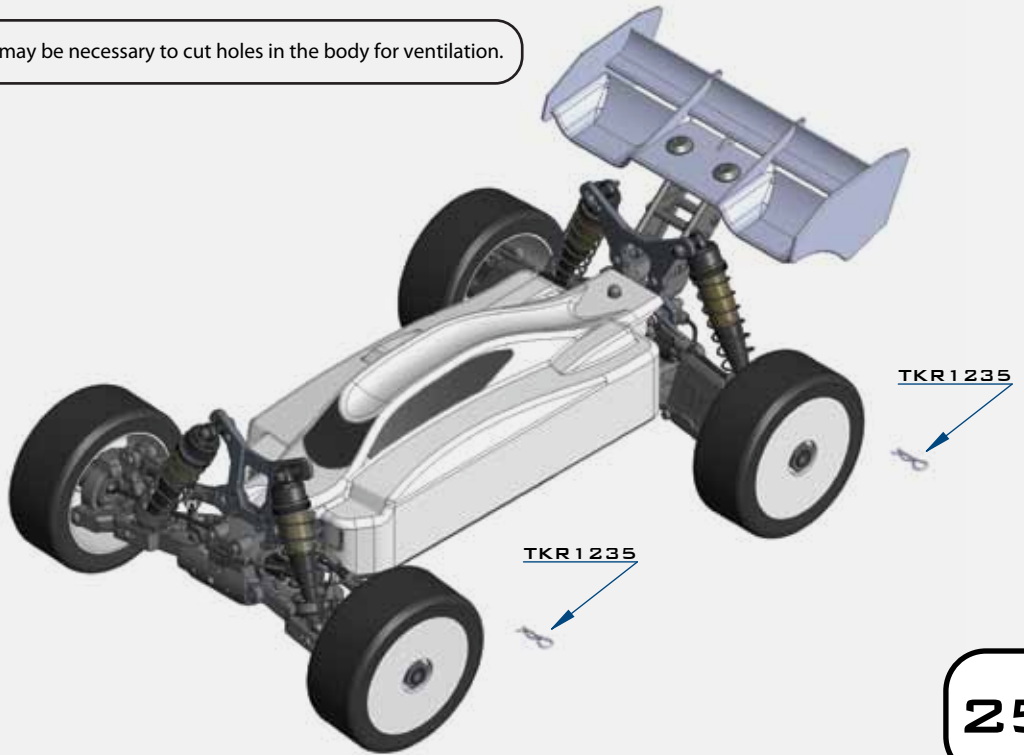
**STEP Q-2**



**STEP Q-3**

Note: It may be necessary to cut holes in the body for ventilation.

-  x2  
TKR1201  
M3 LOCK NUT BLACK
-  x2  
TKR1325  
M3X14MM FLAT HEAD SCREW
-  x2  
TKR1235  
BODY CLIP
-  x4  
TKR5116  
WHEEL NUT



TKR5000 Spare Parts List

TKR5000 - EB48 Electric 1/8th Scale 4WD Buggy Kit

TKR5000F - Chassis (7075, hard anodized)

TKR5010 - Battery Tray, Mud Guard (left side)

TKR5011 - Radio Tray, Mud Guard (right side)

TKR5012 - Gearbox (front)

TKR5016B - Gearbox (rear)

TKR5013 - Adjustable Hinge Pin Braces (rear, 7075 CNC, gun metal ano)

TKR5013B - Adjustable Hinge Pin Brace (+1.5 deg, rear, 7075 CNC, gun metal ano)

TKR5017 - Adjustable Hinge Pin Braces (front, 7075 CNC, gun metal ano)

TKR5018 - Front Bumper

TKR5020 - Hinge Pins (inner, front/rear)

TKR5021 - Hinge Pin Inserts, Wheelbase Shims (complete set)

TKR5026 - Wing Mount, Body Mount Set

TKR5027 - Shock Standoffs (2pcs)

TKR5028 - Shock Tower (front, 7075 NC, gun metal ano)

TKR5029 - Shock Tower (rear, 7075 NC, gun metal ano)

TKR5030XT - Suspension Arms (rear, 2pcs)

TKR5033 - Rear Arm Mud Guards

TKR5034 - Hinge Pins (outer, rear)

TKR5036XT - Suspension Arms (front, 2pcs)

TKR5037 - Wing (white)

TKR5037B - Wing (black)

TKR5037Y - Wing (yellow)

TKR5040 - Rear Hubs (2pcs)

TKR5041 - Spindles (left and right)

TKR5042 - Spindle Carriers (left and right)

TKR5049A - Pivot Balls (6.8mm, no flng, sway bar, shck ends, almm, 4pcs)

TKR5050 - Turnbuckle (camber link, front/rear, 2pcs)

TKR5051 - Rod Ends (6.8mm, camber links, 8pcs)

TKR5052A - Pivot Balls (6.8mm, inside camber, strng links, aluminum, 4pcs)

TKR5053A - Pivot Balls (6.8mm, flanged, outside camber, aluminum, 4pcs)

TKR5054A - Spindle Bushings (4pcs, aluminum, hard ano)

TKR5055A - Arm Bushings (4pcs, aluminum, hard ano)

TKR5056 - Rod Ends (5.8mm, brake/steering/sway bar linkage, 8pcs)

TKR5058A - Pivot Balls (5.8mm, no flange, brake/strng link, aluminum, 4pcs)

TKR5060 - Steering Servo Brace (aluminum, gun metal ano)

TKR5060C - Steering Servo Brace (carbon fiber)

TKR5062 - Chassis Brace Set (front/rear/center)

TKR5065 - ESC Tray and Radio/Battery Tray Accessories

TKR5070 - Stub Axles (hardened steel, 2pcs)

TKR5071 - Wheel Hubs (17mm, aluminum, black ano, w/pins, 2pcs)

TKR5071X - Wheel Hubs (17mm, aluminum, lightened, gun metal ano, w/pins, 2pcs)

TKR5071B - Wheel Hubs (17mm, alum, ltnd, gun metal ano, 1mm off, w/pins, 2pcs)

TKR5071C - Wheel Hubs (17mm, alum, ltnd, gun metal ano, 2mm off, w/pins, 2pcs)

TKR5072 - Driveshafts (f/r, hardened steel, 2pcs)

TKR5073 - CV Rebuild kit (f/r, for 2 axles)

TKR5075 - Diff Coupler (f/r, hardened steel)

TKR5076 - Driveshaft (center, rear, hardened steel)

TKR5077 - Driveshaft (center, front, 7075 aluminum, gun metal ano)

TKR5079A - Stabilizer Balls (6.8mm, sway bars, aluminum, 4pcs)

TKR5080 - Sway Bar (f/r, 2.2mm)

TKR5081 - Sway Bar (f/r, 2.3mm)

TKR5082 - Sway Bar (f/r, 2.4mm)

TKR5083 - Sway Bar (f/r, 2.5mm)

TKR5084 - Sway Bar (f/r, 2.6mm)

TKR5085 - Sway Bar (f/r, 2.8mm)

TKR5086 - Sway Bar Mounts

TKR5087 - Sway Bar (f/r, 3.0mm)

TKR5100 - Ackerman Plate (aluminum, gun metal ano)

TKR101X - Servo Saver Spring (HD, EB48, SCT410, NB48)

TKR5102A - Steering Posts (aluminum, gun metal ano)

TKR5103 - Servo Saver Post (aluminum, gun metal ano)

TKR5104 - Steering Bell Cranks

TKR5107 - Steering Top Plate, Center Diff Top Plate, Center Diff Rear Support

TKR5116 - Wheel Nuts (17mm, serrated, gun metal ano, M12x1.0, 4pcs)

TKR5122 - Steering Rack Bushings (aluminum, gun metal ano, 2pcs)

TKR5123 - Turnbuckle (steering links, 2pcs)

TKR5125 - O-Ring (ESC tray, 3pcs)

TKR5126 - Antenna tube (universal, w/ caps, 5pcs)

TKR5210 - Center Diff Motor Mount (aluminum, gun metal ano)

TKR5211 - Motor Mount Insert (aluminum, gun metal ano)

TKR5217 - Center Diff Rear Support (aluminum, gun metal ano)

TKR5220 - Servo Horns (steering, brakes)

TKR5230 - Steering linkage (M3x18mm threaded rod, 10pcs)

TKR5231 - Servo Saver Nut and Spring

TKR5237 - Spur Gear (44t, composite)

TKR5237K - Spur Gear (44t, composite, black)

TKR5240 - Adjustable Hinge Pin Braces (front and rear, composite)

TKR5245 - Body (.040 lexan, EB48)

TKR5246 - Instruction Manual (EB48)

TKR5247 - Decal Sheet (EB48)

TKR5152 - Diff Pinion (10T, CNC, straight cut)

TKR5151 - Differential Ring Gear (40t, straight cut)

TKR5112X - Differential Outdrives (center, lightened)

TKR5113 - Differential Case (f/c/r)

TKR5114X - Differential Outdrives (f/r, lightened)

TKR5115 - Spur Gear (44t, hardened steel, lightened)

TKR5150 - Differential Gear Set (internal gears only)

TKR5149 - Differential Cross Pins (6pcs)

TKR5143 - Differential Seals (3pcs)

TKR5144 - Differential O-Rings (6pcs)

TKR5145 - Differential Shims (6x17mm, 6pcs)

TKR5147 - Complete Center Differential

TKR5148 - Complete F/R Differential

TKR5206 - Brake discs (fiberglass, 2pcs)

TKR5208 - Brake Levers, Brake Cam Stays (w/ pins)

TKR5213A - Brake Posts (aluminum, 4pcs)

TKR5214 - Brake Pads (steel, 4pcs)

TKR5215 - Brake Cams (steel, 2pcs)

TKR5219 - Brake Linkage Ball Lever (steel)

TKR5222 - Brake Linkage

TKR5067 - Brake Servo Brace (aluminum, gun metal ano)

TKR5067C - Brake Servo Brace (carbon fiber)

TKR5057 - Turnbuckle (brake bias adjustment)

TKR5206X - Brake Kit (complete)

TKR6002 - Shock Body (front, aluminum, hard ano, 2pcs)

TKR6003 - Shock Caps (aluminum, black ano, 2pcs)

TKR6004 - Shock Shafts (front, steel, 2pcs)

TKR6004T - Shock Shafts w/ TiNi coating (front, steel, 2pcs)

TKR6005 - Shock Rod Ends and Spring Perches (6.8mm, shock ends, 4pcs)

TKR6008 - Shock Shaft Guide, Piston, and Bushing Set (for 2 shocks)

TKR6009 - Shock O-Ring and Bladder Set (for 2 shocks)

TKR6013 - Shock Adjustment Nuts (aluminum, gun metal ano, 2pcs)

TKR6015 - Shock Cartridge Caps (aluminum, gun metal ano, 2pcs)

TKR6016 - Shock Body (rear, aluminum, hard ano, 2pcs)

TKR6017 - Shock Shafts (rear, steel, 2pcs)

TKR6017T - Shock Shafts w/ TiNi coating (rear, steel, 2pcs)

TKR6018 - Shock Cap and Spring Adjuster Set (composite, for 2 shocks)

TKR6021 - Shock Set (front, complete)

TKR6022 - Shock Set (rear, complete)

TKR6023 - Shock Boot Set (2 front, 2 rear)

TKR6030 - Shock Spring Set (rear, 1.4 x 11.0T, 85mm)

TKR6031 - Shock Spring Set (rear, 1.4 x 10.5T, 85mm)

TKR6032 - Shock Spring Set (rear, 1.4 x 10.0T, 85mm)

TKR6033 - Shock Spring Set (rear, 1.4 x 9.5T, 85mm)

TKR6034 - Shock Spring Set (rear, 1.4 x 9.0T, 85mm)

TKR6035 - Shock Spring Set (front, 1.5 x 9.0T, 70mm)

TKR6036 - Shock Spring Set (front, 1.5 x 8.5T, 70mm)

TKR6037 - Shock Spring Set (front, 1.5 x 8.0T, 70mm)

TKR6038 - Shock Spring Set (front, 1.5 x 7.5T, 70mm)

TKR6039 - Shock Spring Set (front, 1.5 x 7.0T, 70mm)

TKR6050 - Shock Pistons (CNC, conical, 10x1.1mm)

TKR6051 - Shock Pistons (CNC, conical, 8x1.3mm)

TKR6052 - Shock Pistons (CNC, conical, 10x1.2mm)

TKR6053 - Shock Pistons (CNC, conical, 8x1.4mm)

TKR6054 - Shock Pistons (CNC, conical, 10x1.3mm)

TKRBB050825 - Ball Bearing (5x8x2.5mm, 4pcs)

TKRBB05114 - Ball Bearing (5x11x4, 4pcs)

TKRBB05134 - Ball Bearing (5x13x4, 4pcs)

TKRBB06103 - Ball Bearing (6x10x3, 4pcs)

TKRBB08144 - Ball Bearing (8x14x4, 4pcs)

TKRBB08165 - Ball Bearing (8x16x5, 4pcs)

TKRBB13194 - Ball Bearing (13x19x4, 4pcs)

TKR1200 - M2.5 Locknuts (zinc finish, 10pcs)

TKR1201 - M3 Locknuts (black, 10pcs)

TKR1202 - M4 Locknuts (black, 10pcs)

TKR1211 - M3 Locknuts (flanged, black, 10pcs)

TKR1221 - M3x8mm Washer (black, 10pcs)

TKR1222 - 13x16x.1mm Diff Shims (10pcs)

TKR1235 - Body Clips (10pcs)

TKR1227 - M4x9mm Washer (zinc finish, 10pcs)

TKR1322 - M3x8mm Flat Head Screws (black, 10pcs)

TKR1323 - M3x10mm Flat Head Screws (black, 10pcs)

TKR1325 - M3x14mm Flat Head Screws (black, 10pcs)

TKR1327 - M3x16mm Flat Head Screws (black, 10pcs)

TKR1328 - M3x18mm Flat Head Screws (black, 10pcs)

TKR1333 - M3x40mm Flat Head Screws (black, 10pcs)

TKR1341 - M4x6mm Flat Head Screws (black, 10pcs)

TKR1343 - M4x10mm Flat Head Screws (black, 10pcs)

TKR1346 - M4x15mm Flat Head Screws (black, 10pcs)

TKR1401 - M3x6mm Button Head Screws (black, 10pcs)

TKR1402 - M3x8mm Button Head Screws (black, 10pcs)

TKR1407 - M3x16mm Button Head Screws (black, 10pcs)

TKR1443 - M4x10mm Button Head Screws (black, 10pcs)

TKR1445 - M4x14mm Button Head Screws (black, 10pcs)

TKR1447 - M4x16mm Button Head Screws (black, 10pcs)

TKR1448 - M4x18mm Button Head Screws (black, 10pcs)

TKR1522 - M3x8mm Cap Head Screws (black, 10pcs)

TKR1524 - M3x12mm Cap Head Screws (black, 10pcs)

TKR1525 - M3x14mm Cap Head Screws (black, 10pcs)

TKR1529 - M3x20mm Cap Head Screws (black, 10pcs)

TKR1601 - M3x4mm Set Screws (black, 10pcs)

TKR1603 - M5x4mm Set Screws (black, 10pcs)

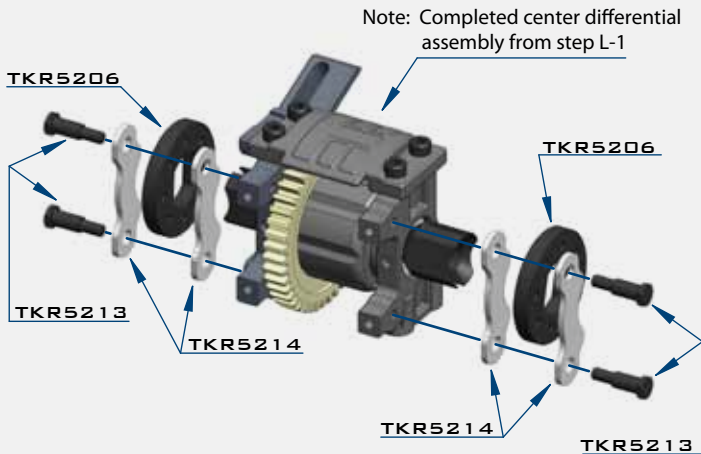
# BAG R

## MECHANICAL BRAKES (OPTIONAL - TKR5206X)

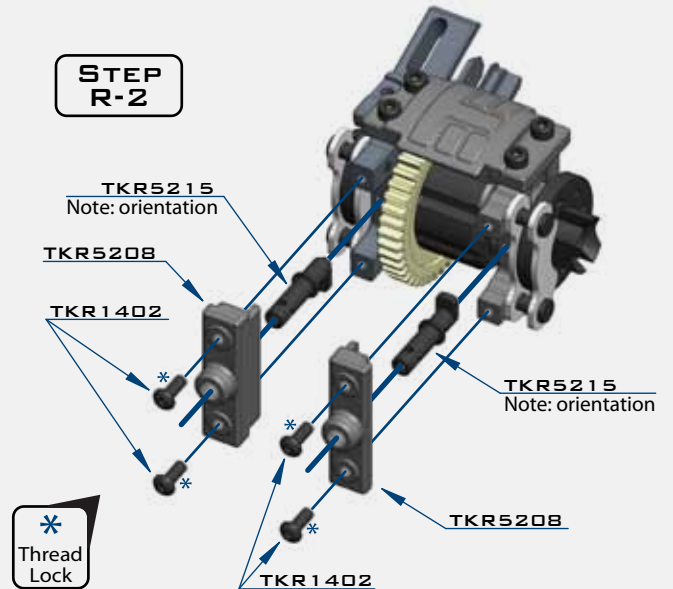
\*NOT INCLUDED IN KIT

A mechanical brake setup will allow you to adjust the front/rear brake bias as well as reduce the running temperature of your motor and ESC. Mechanical brakes can provide an advantage on tracks where traction is scarce, but it may suit your driving style in any case. These instructions assume that the center differential/motor mount is completed but not yet installed on your EB48 (Step L). If your vehicle is complete, you will need to remove the center differential/motor mount to complete the brake installation. Refer to Step L in the EB48 instruction manual if you need help.

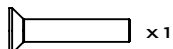
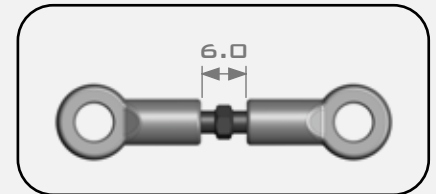
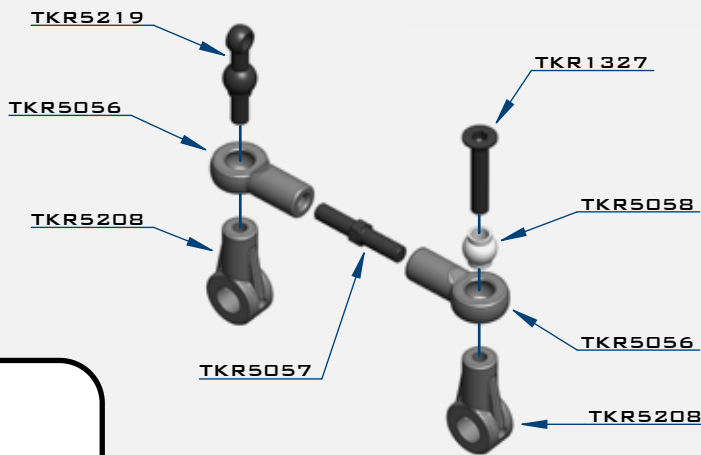
### STEP R-1



### STEP R-2



### STEP R-3



TKR1327  
M3X16MM FLAT HEAD SCREW



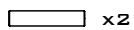
TKR1402  
M3X8MM BUTTON HEAD SCREW



TKR1601  
M3X4MM SET SCREW

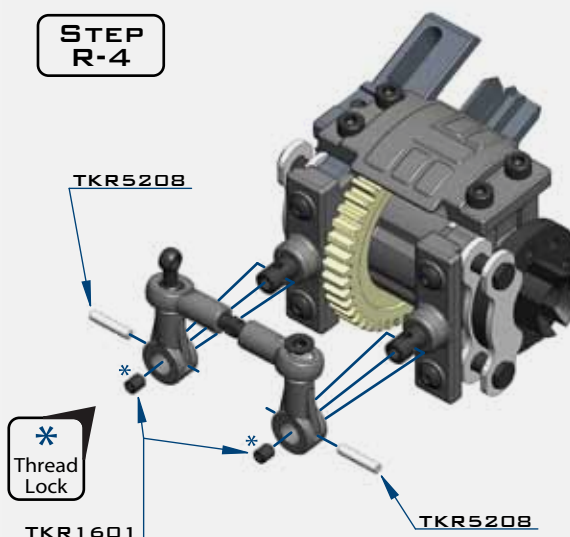


TKR5058  
PIVOT BALL M3X5.8MM  
NO FLANGE



TKR5208  
CAM JOINT PIN

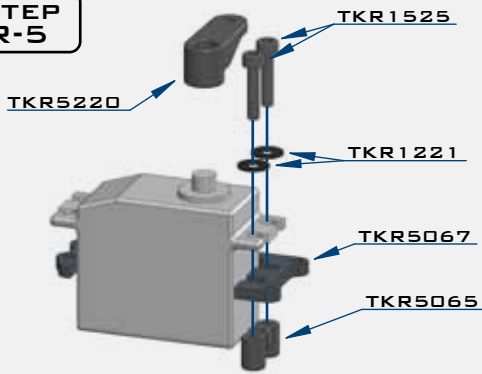
### STEP R-4



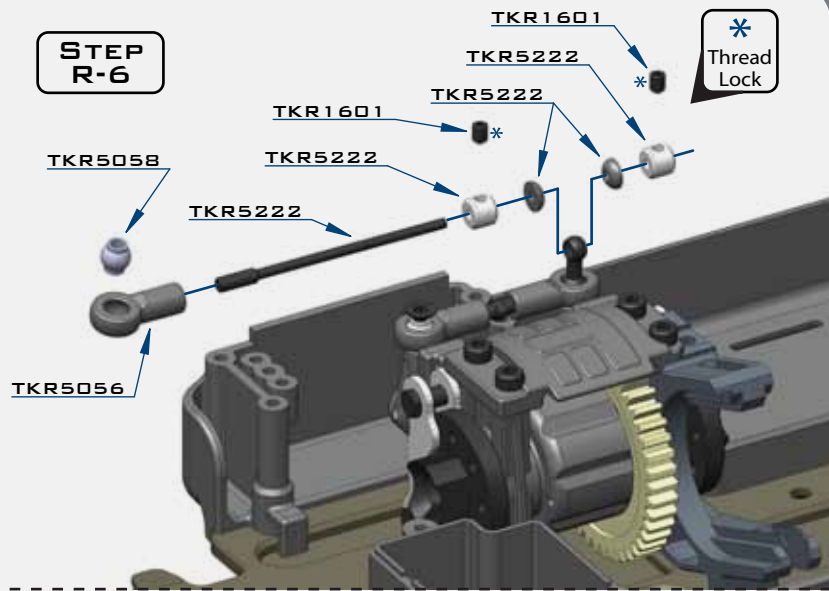
# BAG R

## MECHANICAL BRAKES (OPTIONAL - TKR5206X)

STEP  
R-5



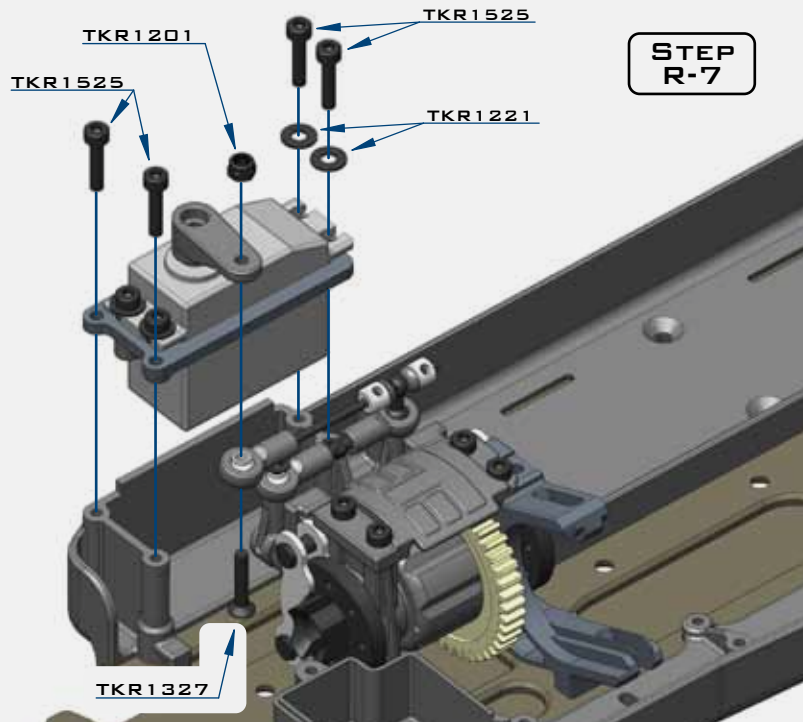
STEP  
R-6



### Radio Setup:

- You need a separate servo for the brakes. A servo with at least 160oz/in torque @ .15sec or faster is recommended.
- To set up the brake servo action, you will need a radio transmitter that has the ability to perform 3rd/AUX mixing on the throttle channel.
- Adjust the mixing function so the brake servo only moves when activating the brakes (moving the trigger forward on your transmitter). If the servo is also moving when on throttle, you will damage the brake system or your servo and the car will not function properly.
- Set the ESC brakes to 0 (zero). Although, you can still use the ESC for partial brakes or drag brake if desired.
- Refer to your transmitter manual for mixing functions specific to your brand.

STEP  
R-7



### Adjusting the Brakes and Brake Bias:

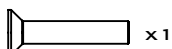
• The total braking force is set by your transmitter via servo travel (EPA for 3rd/AUX/Brake channel)

• When your servo is in the neutral position, there should be no contact with the brakes. Use the ESC settings to adjust drag brake.

• Adjust the brake linkage stops (TKR5222) and servo EPA to set the brakes to your liking. Some prefer the brakes to come on very quick, while others prefer them to be a little more progressive.

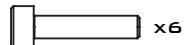
• The brakes bias is adjusted by lengthening or shortening the brake adjustment turnbuckle (TKR5057). A longer link will provide more rear braking bias, a shorter link will provide more front braking bias.

• We recommend leaving the servo horn loose while adjusting the brake bias. This way you can test the brake bias, take the servo horn off to adjust, test, repeat if necessary. When you have the brake bias where you want it, tighten down the servo horn.



x1

TKR1327  
M3x16MM FLAT HEAD SCREW



x6

TKR1525  
M3x14MM CAP HEAD SCREW



x2

TKR1601  
M3x4MM SET SCREW



x1

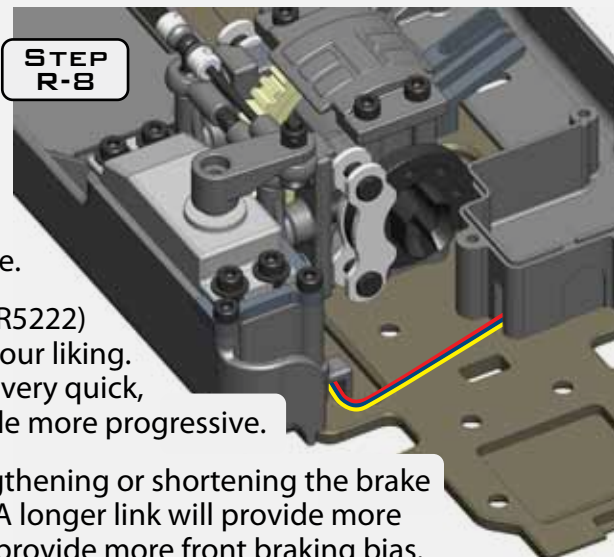
TKR5058  
PIVOT BALL M3x5.8MM  
NO FLANGE



x1

TKR1201  
M3 LOCKNUT BLACK

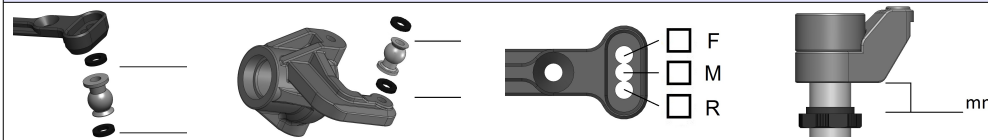
STEP  
R-8



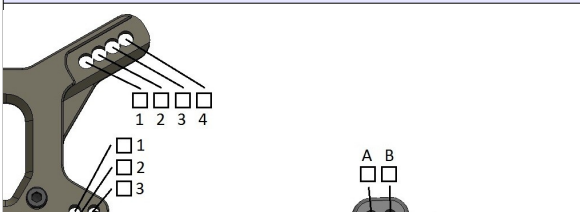
## SETUP SHEET

Name:	Date:	Event:
Track Conditions:	Outdoor    Open    Loose/Loamy    Dusty    High Bite	Low Bite    Rough
Indoor    Tight    Smooth    Hard Packed    Wet    Dry    Med Bite		Blue Groove

### BUMPSTEER/ACKERMANN/SERVO SAVER SHOCKS

 <div style="display: flex; justify-content: space-around; margin-top: 10px;"> <div style="text-align: center;"> <input type="checkbox"/> F  <input type="checkbox"/> M  <input type="checkbox"/> R         </div> <div style="text-align: center;"> <input type="checkbox"/> mm         </div> </div>	<table border="1" style="width: 100%; border-collapse: collapse;"> <tr> <td></td> <td style="width: 50%;">Front</td> <td style="width: 50%;">Rear</td> </tr> <tr> <td>Piston</td> <td></td> <td></td> </tr> <tr> <td>Oil</td> <td></td> <td></td> </tr> <tr> <td>Bladder</td> <td></td> <td></td> </tr> <tr> <td>Spring</td> <td></td> <td></td> </tr> <tr> <td>Length/ Droop</td> <td></td> <td></td> </tr> </table>		Front	Rear	Piston			Oil			Bladder			Spring			Length/ Droop		
	Front	Rear																	
Piston																			
Oil																			
Bladder																			
Spring																			
Length/ Droop																			

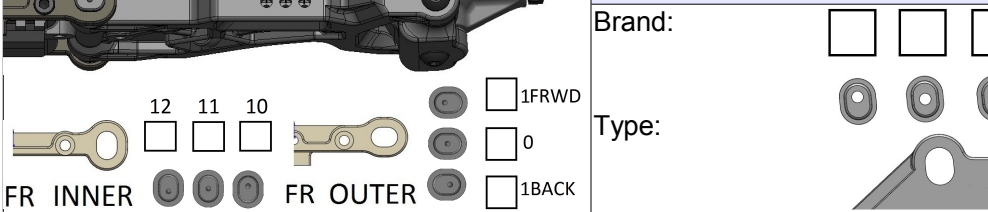
### FRONT SUSPENSION

	<table border="1" style="width: 100%; border-collapse: collapse;"> <tr> <td></td> <td style="width: 50%;">Front</td> <td style="width: 50%;">Rear</td> </tr> <tr> <td>Ride Height</td> <td></td> <td></td> </tr> <tr> <td>Camber</td> <td></td> <td></td> </tr> <tr> <td>Toe</td> <td></td> <td></td> </tr> </table>		Front	Rear	Ride Height			Camber			Toe			<table border="1" style="width: 100%; border-collapse: collapse;"> <tr> <td></td> <td style="width: 50%;">Front</td> <td style="width: 50%;">Rear</td> </tr> <tr> <td>Bladder</td> <td></td> <td></td> </tr> <tr> <td>Spring</td> <td></td> <td></td> </tr> <tr> <td>Length/ Droop</td> <td></td> <td></td> </tr> </table>		Front	Rear	Bladder			Spring			Length/ Droop		
	Front	Rear																								
Ride Height																										
Camber																										
Toe																										
	Front	Rear																								
Bladder																										
Spring																										
Length/ Droop																										


### TIRES

	Front	Rear
Brand		

### WING

	<table border="1" style="width: 100%; border-collapse: collapse;"> <tr> <td>Brand:</td> <td><input type="checkbox"/></td> <td><input type="checkbox"/></td> <td><input type="checkbox"/></td> </tr> <tr> <td>Type:</td> <td><input type="checkbox"/></td> <td><input type="checkbox"/></td> <td><input type="checkbox"/></td> </tr> </table>	Brand:	<input type="checkbox"/>	<input type="checkbox"/>	<input type="checkbox"/>	Type:	<input type="checkbox"/>	<input type="checkbox"/>	<input type="checkbox"/>
Brand:	<input type="checkbox"/>	<input type="checkbox"/>	<input type="checkbox"/>						
Type:	<input type="checkbox"/>	<input type="checkbox"/>	<input type="checkbox"/>						

### REAR BRACES

	<p style="text-align: center;"> <input type="checkbox"/> Front    <input type="checkbox"/> Middle    <input type="checkbox"/> Rear          (Front is always recommended)       </p>
--	--

### WHEELBASE DIFFS

	<table border="1" style="width: 100%; border-collapse: collapse;"> <tr> <td></td> <td style="width: 33%;">Front</td> <td style="width: 33%;">Center</td> <td style="width: 33%;">Rear</td> </tr> <tr> <td></td> <td></td> <td></td> <td></td> </tr> </table>		Front	Center	Rear				
	Front	Center	Rear						

### ELECTRONICS

ESC:	
Battery:	
Servo(s):	
Radio:	
Motor:	

### DRIVETRAIN

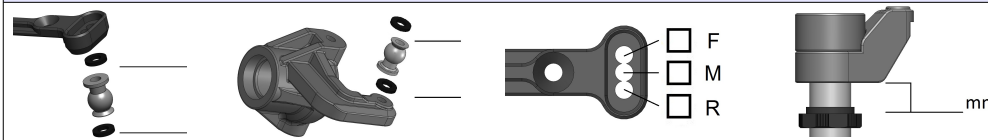
Gear Ratio: _____ / _____	Spur: <input type="checkbox"/> Metal <input type="checkbox"/> Plastic
<input type="checkbox"/> Pinion <input type="checkbox"/> Long Shank <input type="checkbox"/> Traktion <input type="checkbox"/> Clutch	Shoes:
<input type="checkbox"/> Mech. Brake <input type="checkbox"/> Motor Brake	Springs:
Radio Notes:	

### NOTES:

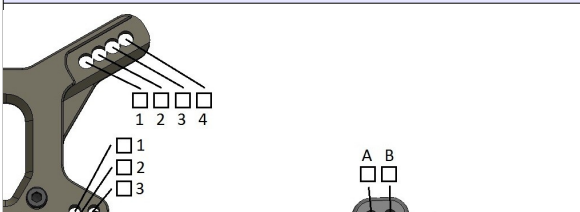
## SETUP SHEET

Name:	Date:	Event:
Track Conditions:	Outdoor    Open    Loose/Loamy    Dusty    High Bite	Low Bite    Rough
Indoor    Tight    Smooth    Hard Packed    Wet    Dry    Med Bite		Blue Groove

### BUMPSTEER/ACKERMANN/SERVO SAVER SHOCKS

 <div style="display: flex; justify-content: space-around; margin-top: 10px;"> <div style="text-align: center;"> <input type="checkbox"/> F  <input type="checkbox"/> M  <input type="checkbox"/> R         </div> <div style="text-align: center;"> <input type="checkbox"/> mm         </div> </div>	<table border="1" style="width: 100%; border-collapse: collapse;"> <tr> <td></td> <td style="width: 50%;">Front</td> <td style="width: 50%;">Rear</td> </tr> <tr> <td>Piston</td> <td></td> <td></td> </tr> <tr> <td>Oil</td> <td></td> <td></td> </tr> <tr> <td>Bladder</td> <td></td> <td></td> </tr> <tr> <td>Spring</td> <td></td> <td></td> </tr> <tr> <td>Length/ Droop</td> <td></td> <td></td> </tr> </table>		Front	Rear	Piston			Oil			Bladder			Spring			Length/ Droop		
	Front	Rear																	
Piston																			
Oil																			
Bladder																			
Spring																			
Length/ Droop																			

### FRONT SUSPENSION

	<table border="1" style="width: 100%; border-collapse: collapse;"> <tr> <td></td> <td style="width: 50%;">Front</td> <td style="width: 50%;">Rear</td> </tr> <tr> <td>Ride Height</td> <td></td> <td></td> </tr> <tr> <td>Camber</td> <td></td> <td></td> </tr> <tr> <td>Toe</td> <td></td> <td></td> </tr> <tr> <td>Sway Bar</td> <td></td> <td></td> </tr> </table>		Front	Rear	Ride Height			Camber			Toe			Sway Bar		
	Front	Rear														
Ride Height																
Camber																
Toe																
Sway Bar																

### TIRES

	Front	Rear
Brand		

### WING

Brand:	<input type="checkbox"/>	<input type="checkbox"/>	<input type="checkbox"/>	Compound		
Type:	<input type="checkbox"/>	<input type="checkbox"/>	<input type="checkbox"/>	Insert		
	<input type="checkbox"/>	<input type="checkbox"/>	<input type="checkbox"/>	Wheel		

### REAR BRACES

	<input type="checkbox"/> Front	<input type="checkbox"/> Middle	<input type="checkbox"/> Rear	Notes:
	(Front is always recommended)			

### WHEELBASE DIFFS

	Front	Center	Rear
			

### ELECTRONICS

ESC:	
Battery:	
Servo(s):	
Radio:	
Motor:	

### DRIVETRAIN

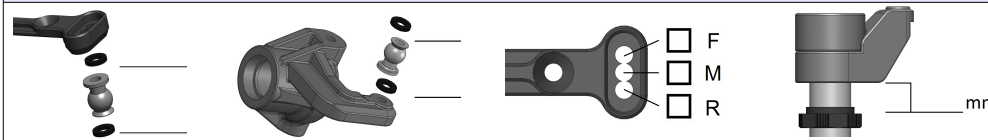
Gear Ratio: _____ / _____	Spur: <input type="checkbox"/> Metal <input type="checkbox"/> Plastic
<input type="checkbox"/> Pinion	<input type="checkbox"/> Long Shank
<input type="checkbox"/> Traktion	<input type="checkbox"/> Clutch
<input type="checkbox"/> Mech. Brake	Radio Notes:
<input type="checkbox"/> Motor Brake	

### NOTES:

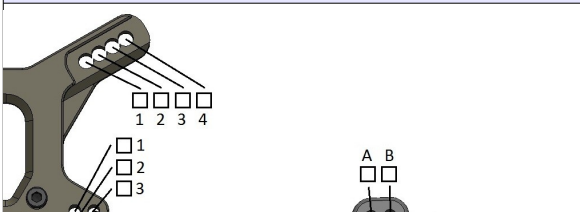
## SETUP SHEET

Name:	Date:	Event:
Track Conditions:	Outdoor    Open    Loose/Loamy    Dusty    High Bite	Low Bite    Rough
Indoor    Tight    Smooth    Hard Packed    Wet    Dry    Med Bite		Blue Groove

### BUMPSTEER/ACKERMANN/SERVO SAVER SHOCKS

 <div style="display: flex; justify-content: space-around; margin-top: 10px;"> <div style="text-align: center;"> <input type="checkbox"/> F  <input type="checkbox"/> M  <input type="checkbox"/> R         </div> <div style="text-align: center;"> <input type="checkbox"/> mm         </div> </div>	<table border="1" style="width: 100%; border-collapse: collapse;"> <tr> <td></td> <td style="width: 50%;">Front</td> <td style="width: 50%;">Rear</td> </tr> <tr> <td>Piston</td> <td></td> <td></td> </tr> <tr> <td>Oil</td> <td></td> <td></td> </tr> <tr> <td>Bladder</td> <td></td> <td></td> </tr> <tr> <td>Spring</td> <td></td> <td></td> </tr> <tr> <td>Length/ Droop</td> <td></td> <td></td> </tr> </table>		Front	Rear	Piston			Oil			Bladder			Spring			Length/ Droop		
	Front	Rear																	
Piston																			
Oil																			
Bladder																			
Spring																			
Length/ Droop																			

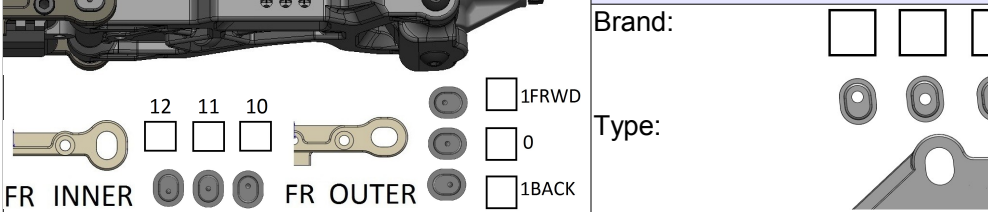
### FRONT SUSPENSION

	<table border="1" style="width: 100%; border-collapse: collapse;"> <tr> <td></td> <td style="width: 33%;">Front</td> <td style="width: 33%;">Rear</td> </tr> <tr> <td>Ride Height</td> <td></td> <td></td> </tr> <tr> <td>Camber</td> <td></td> <td></td> </tr> <tr> <td>Toe</td> <td></td> <td></td> </tr> <tr> <td>Sway Bar</td> <td></td> <td></td> </tr> </table>		Front	Rear	Ride Height			Camber			Toe			Sway Bar		
	Front	Rear														
Ride Height																
Camber																
Toe																
Sway Bar																


### TIRES

	Front	Rear
Brand		

### WING

	<table border="1" style="width: 100%; border-collapse: collapse;"> <tr> <td>Brand:</td> <td><input type="checkbox"/></td> <td><input type="checkbox"/></td> <td><input type="checkbox"/></td> </tr> <tr> <td>Type:</td> <td><input type="checkbox"/></td> <td><input type="checkbox"/></td> <td><input type="checkbox"/></td> </tr> </table>	Brand:	<input type="checkbox"/>	<input type="checkbox"/>	<input type="checkbox"/>	Type:	<input type="checkbox"/>	<input type="checkbox"/>	<input type="checkbox"/>
Brand:	<input type="checkbox"/>	<input type="checkbox"/>	<input type="checkbox"/>						
Type:	<input type="checkbox"/>	<input type="checkbox"/>	<input type="checkbox"/>						

### REAR BRACES

	<p style="text-align: center;"> <input type="checkbox"/> Front    <input type="checkbox"/> Middle    <input type="checkbox"/> Rear          (Front is always recommended)       </p>
--	--

### WHEELBASE DIFFS

	<table border="1" style="width: 100%; border-collapse: collapse;"> <tr> <td></td> <td style="width: 33%;">Front</td> <td style="width: 33%;">Center</td> <td style="width: 33%;">Rear</td> </tr> <tr> <td></td> <td></td> <td></td> <td></td> </tr> </table>		Front	Center	Rear				
	Front	Center	Rear						

### ELECTRONICS

ESC:	
Battery:	
Servo(s):	
Radio:	
Motor:	

### DRIVETRAIN

Gear Ratio: _____ / _____	Spur: <input type="checkbox"/> Metal <input type="checkbox"/> Plastic
<input type="checkbox"/> Pinion <input type="checkbox"/> Long Shank <input type="checkbox"/> Traktion <input type="checkbox"/> Clutch	Shoes:
<input type="checkbox"/> Mech. Brake <input type="checkbox"/> Motor Brake	Springs:
Radio Notes:	

### NOTES:

TEKNO 

 EB-48.2

Tekno RC  
10755 Scripps Poway Pkwy #598  
San Diego CA 92131  
USA

[www.teknorc.com](http://www.teknorc.com)